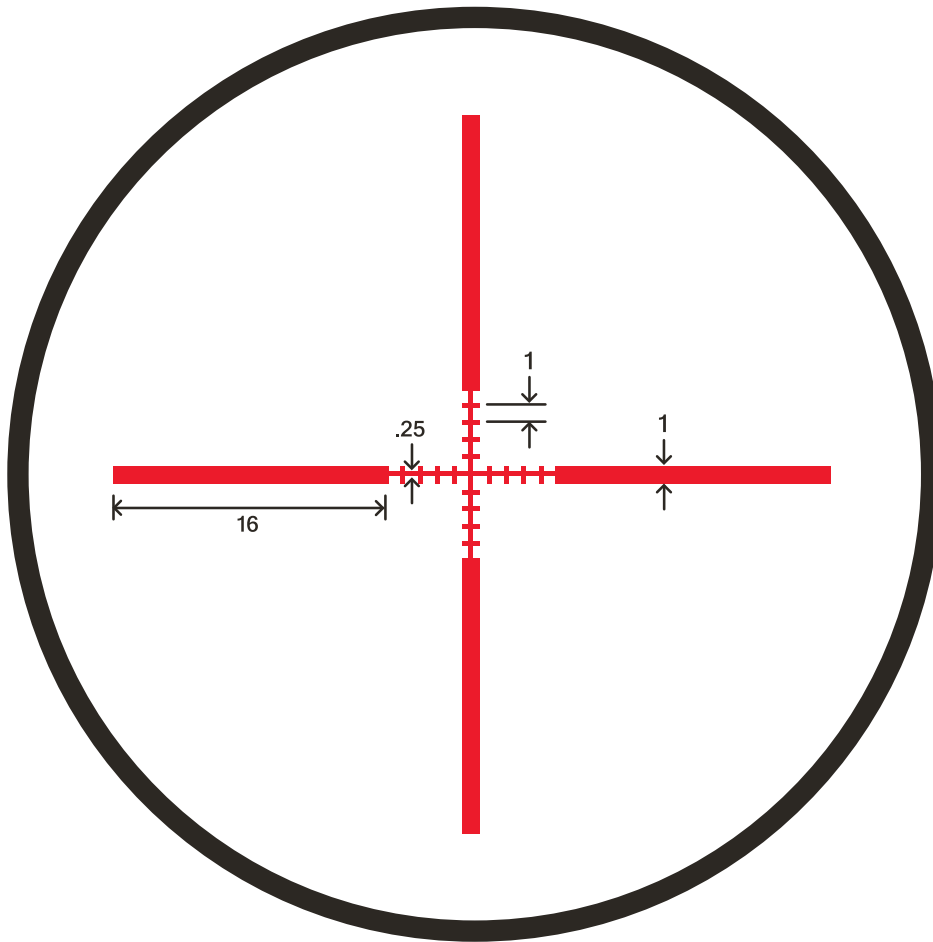
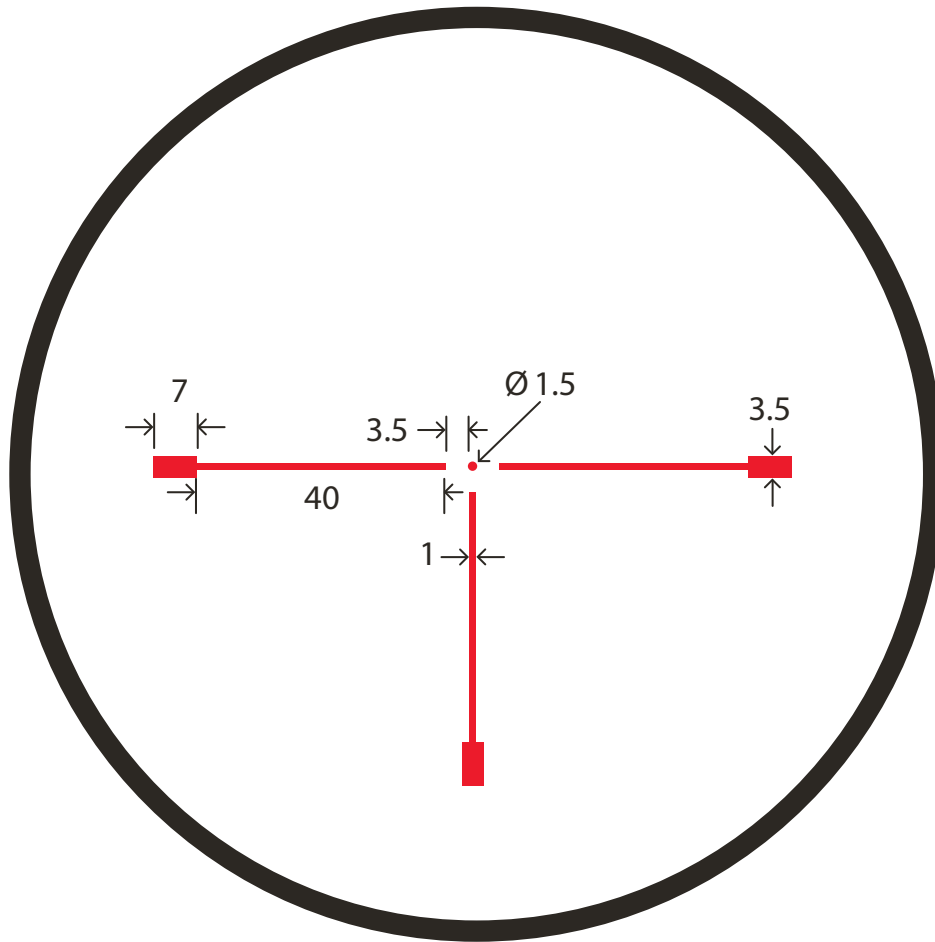


RETICLE-1 SUBTENSIONS FOR Photon 4.6x42



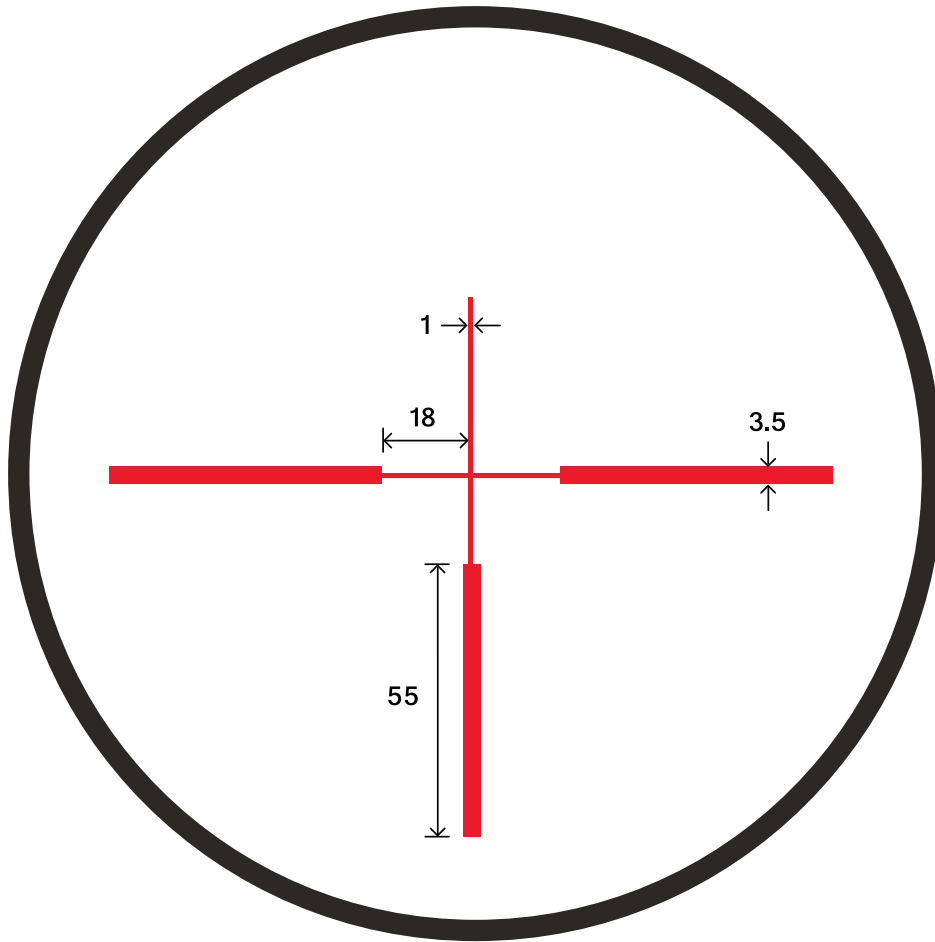
NOTE: Subtensions are measured in milliradian. Reticle image is for reference only.

RETICLE-2 SUBTENSIONS FOR Photon 4.6x42



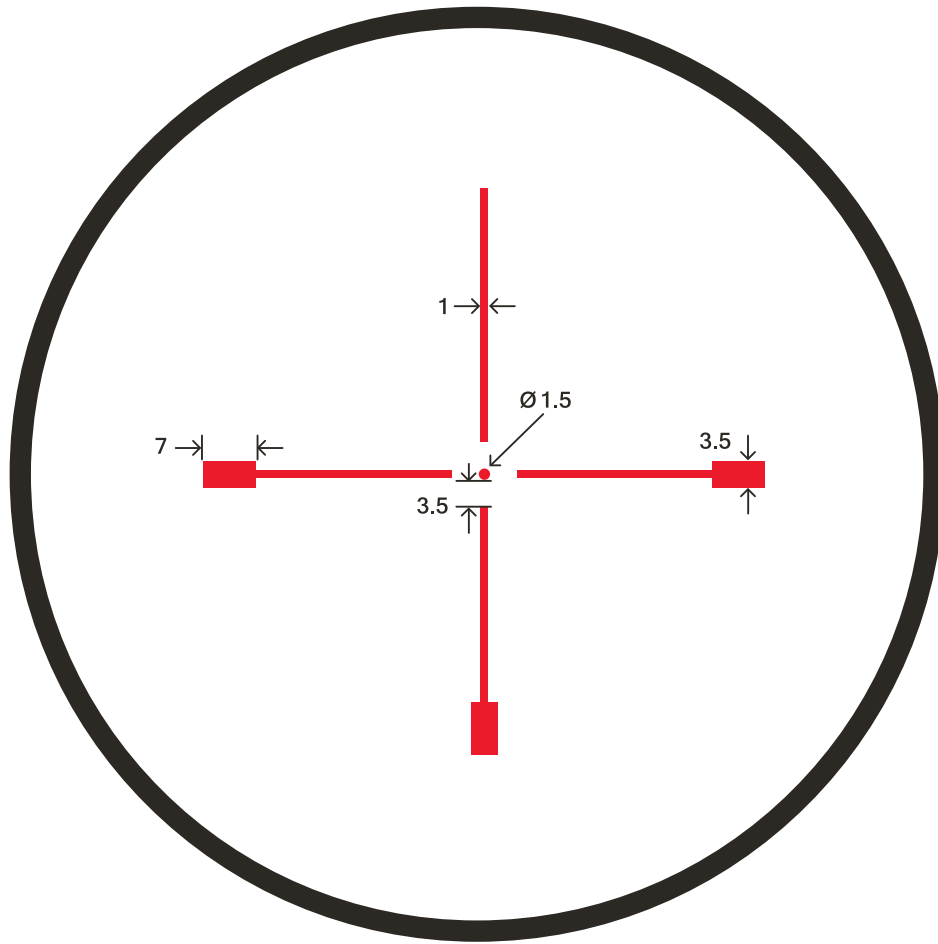
NOTE: Subtenions are measured in minutes of angle (MOA). Reticle image is for reference only.

RETICLE-3 SUBTENSIONS FOR Photon 4.6x42



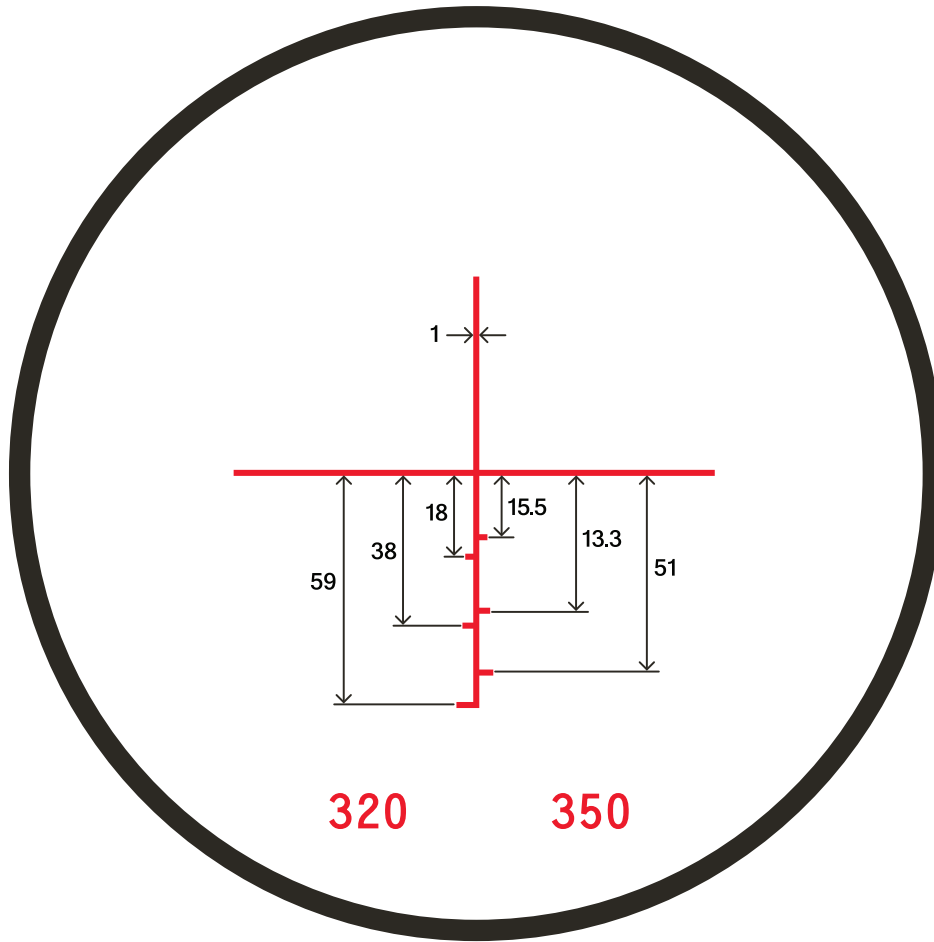
NOTE: Subtensions are measured in minutes of angle (MOA). Reticle image is for reference only.

RETICLE-4 SUBTENSIONS FOR Photon 4.6x42



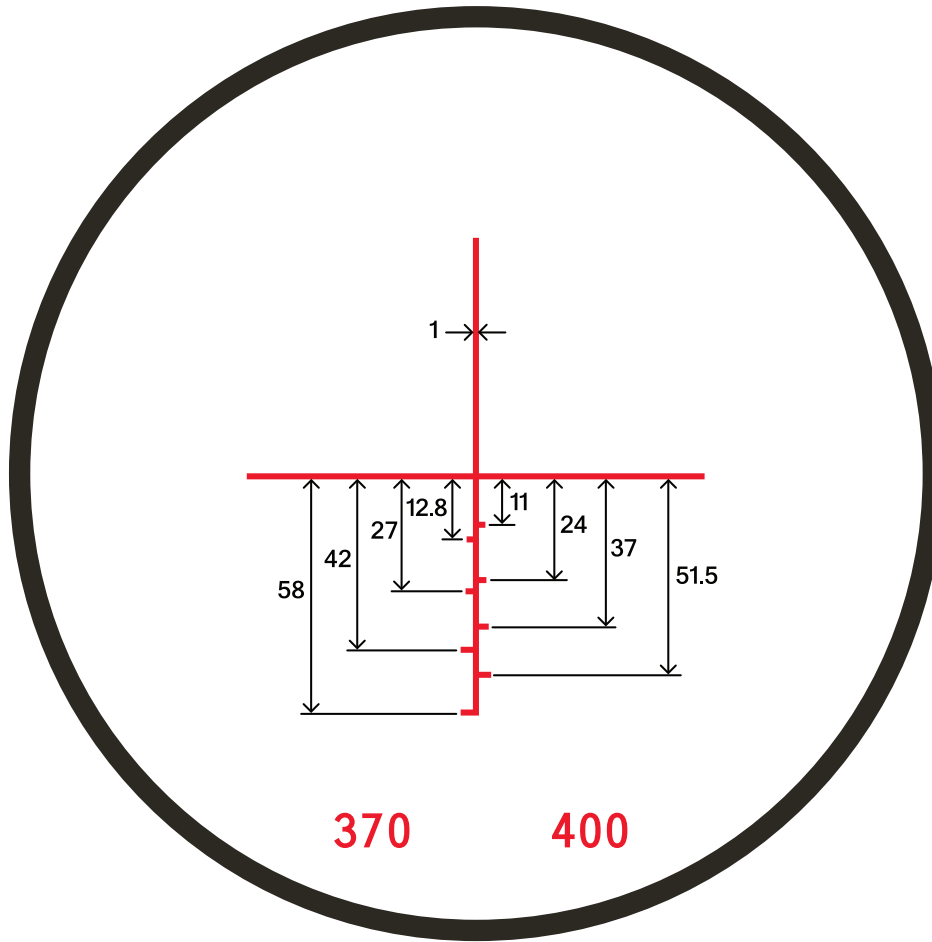
NOTE: Subtensions are measured in minutes of angle (MOA). Reticle image is for reference only.

RETICLE-5 SUBTENSIONS FOR Photon 4.6x42



NOTE: Subtensions are measured in minutes of angle (MOA). Reticle image is for reference only.

RETICLE-6 SUBTENSIONS FOR Photon 4.6x42



NOTE: Subtensions are measured in minutes of angle (MOA). Reticle image is for reference only.