



S I G H T  M A R K<sup>®</sup>

[www.sightmark.com](http://www.sightmark.com)

S I G H T  M A R K<sup>®</sup>

**USER MANUAL**

**RIFLESCOPES**

Triple Duty Series



English / Français / Español / Deutsch

## ABOUT SIGHTMARK®

Sightmark offers a wide range of products that include red dot scopes, reflex sights, rangefinders, riflescopes, laser sights, night vision and award-winning flashlights and boresights. Sightmark products are inspired by military and law enforcement applications. All products are designed to be the most effective weapon accessories possible.

Sightmark - MAKE YOUR MARK

S I G H T  M A R K®

[www.sightmark.com](http://www.sightmark.com)

Sightmark Triple Duty & Tactical Riflescopes ..... 1- 10

Sightmark Le Devoir Triple et Riflescopes Tactique ..... 11-20

Miras Telescópicas Sightmark Triple Duty y Tácticas ... 21-30

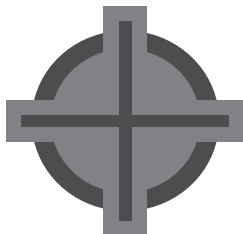
Sightmark Triple Duty und taktische Zielfernrohre ..... 31-40

**ENGLISH**

**FRANCAIS**

**ESPAÑOL**

**DEUTSCH**



# ENGLISH



## ABOUT THE SIGHTMARK TRIPLE DUTY SERIES OF RIFLESCOPES

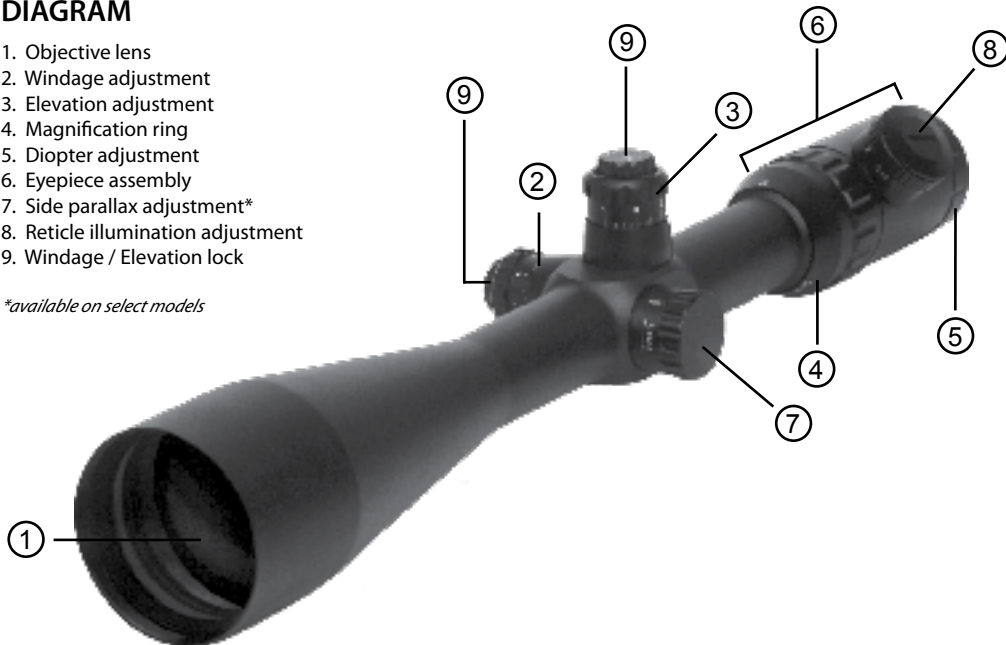
The Sightmark Triple Duty™ Series of riflescopes use cutting edge glass and lens coatings to ensure that it is the most accurate riflescope in its class. Precision multicoated optics are a distinguishing feature of the Sightmark Triple Duty riflescope line; multicoated lenses offer a clear view for easy target acquisition in both bright and low light situations. Both waterproof and fogproof, the Sightmark Triple Duty riflescopes feature tactical windage and elevation adjustments with locking capability ensuring the scope stays zeroed. The side parallax adjustment\* provides precision accuracy for close to long range shooting. Featuring a variety of reticles, the Sightmark Triple Duty series can be used for tactical shooting, competition shooting, and hunting.

*\*available on select models*

## DIAGRAM

1. Objective lens
2. Windage adjustment
3. Elevation adjustment
4. Magnification ring
5. Diopter adjustment
6. Eyepiece assembly
7. Side parallax adjustment\*
8. Reticle illumination adjustment
9. Windage / Elevation lock

*\*available on select models*



# SPECIFICATIONS

## FEATURES:

- Precision accuracy
- Locking turrets
- 2nd focal plane reticles
- Wide field of view
- Precision multicoated optics
- Phase corrected coating
- Internal lit reticle
- 30mm tube diameter
- Parallax adjustment
- Nitrogen purged
- Lightweight
- Waterproof
- Shockproof
- Fog proof

## RETICLES:

Mil-Dot: MD

Circle Dot Duplex: CDX

Dot Duplex: DX

Mil-Dot Dot: MDD

Circle Dot: CD

	1-6x24	2.5-10x32
Reticle type	CD, CDX, DX	CDX, DX, MDD
Objective lens diameter (mm)	24	32
Field of view (m @ 100m)	33.47-5.53	14.69-3.67
Exit pupil (mm)	16.0-4.0	12.8-3.2
Eye relief (mm)	110-88	105-98
Battery type	CR2032	CR2032
Parallax (yards)	100	100
Waterproof / nitrogen filled (yes/no)	yes	yes
Magnification	1-6	2.5-10
Diopter (+/-)	2 to -3	2 to -3
Windage / Elevation (MOA)	90	100
MOA (one click, in)	1/2"	1/4"
Windage / Elevation lock (yes/no)	yes	yes
Dimensions (mm)	390x116x85	455x106x80

3-9x42	4-16x44	8.5-25x50	10-40x56	6-25x56
MD, CDX, DX, MDD	MD, CDX, DX, MDD	MD, CDX, DX, MDD	MD, CDX, DX, MDD	MD, CDX, DX, MDD
42	44	50	56	56
13.99-4.64	9.61-2.44	4.89-1.66	3.84-98	5.8-1.5
14-4.46	11-2.75	5.8-2.0	5.6-1.4	9.3-2.4
115.5-91	120.0-88.4	98.6-88	97.5-85	90
CR2032	CR2032	CR2032	CR2032	CR2032
100	12-∞	12-∞	12-∞	12-∞
yes	yes	yes	yes	yes
3-9	4-16	8.5-25	10-40	6-25
2 to -3	2 to -3	2 to -3	2 to -3	2 to -3
60	60	60	60	100/60
1/4"	1/8"	1/8"	1/8"	1/4"
no	no	yes	yes	yes
326x65x75	376x85x75	405x85x76	417x85x83	560x130x95

## INSTALLATION

It is recommended to have the riflescope mounted by a professional gunsmith. However, if attempting to mount the riflescope without professional assistance, please read and strictly adhere to the following directions.

1. All riflescopes come with basic rings for immediate mounting.
2. Unload the weapon. Remove the bolt/firing pin to ensure the weapon is incapable of firing.
3. Install the lower portions of the rings onto a Weaver base. Tighten the screws to between 45 - 65 inch pounds of torque.
4. Place the riflescope in the rings and install the top portion of the rings loosely so that the riflescope can move freely.
5. Establish the correct eye relief by moving the weapon into the shooting position. While in the shooting position, move the riflescope so that very little black can be seen while looking through the riflescope.
6. Once eye relief is established, check the crosshair alignment by pointing the riflescope at an object that is level and align the crosshair.
7. Once the alignment is checked, tighten the rings evenly. Take care not to over tighten the screws as this could bend the scope. [base attachment screws & ring top screws - 15 inch/lbs; ring cross bolt nut - 68 inch/lbs]
8. Check alignment and position, then boresight the riflescope.

## BORESIGHTING

Using a Sightmark laser boresight is the most accurate and convenient way to sight in a riflescope.

Boresighting and test firing should be performed safely on a firing range. Laser boresights are a quick and accurate method to sighting in riflescopes. Below is listed the traditional method of boresighting.

1. When mounting the riflescope on a bolt action rifle, remove the bolt. When mounting to a semi automatic rifle, disassemble the rifle until there is a straight line of sight through the bore.
2. Now use a target at least 20-50 feet away when sighting in the riflescope. Look through the bore of the weapon and locate the target.

3. Sight the target through the bore and then make windage and elevation adjustments (see “Operating Windage and Elevation Adjustments” for instructions) to the riflescope until the reticle is centered on the bullseye. To verify the riflescope is accurately sighted in, always fire a three-shot test group at 100yds.
4. If you are still off center, make the necessary amount of adjustments to move the reticle to the center of target.
5. Again fire a three-shot test group, and use the center of the group to determine final adjustments.

## **OPERATING WINDAGE AND ELEVATION ADJUSTMENTS**

In order to make windage and elevation adjustments:

1. Loosen the windage and elevation locks (9) located on top of the windage and elevation turrets (2,3) by rotating counter clockwise.
2. Make the necessary windage and elevation adjustments. The MOA increments for the windage and elevation adjustments are noted on the windage/elevation lock. For example, a 1/4" MOA increment means that 1 click moves the point of impact 1/4" at 100yds. Adjustments can be both felt and heard allowing the shooter to make adjustments without looking at the dials.
3. After adjustments are made, tighten the windage and elevation locks (9) by rotating clockwise til they are firmly secured. Check that the windage and elevations are unable to rotate.

## **ZEROING WINDAGE AND ELEVATION ADJUSTMENTS**

The Sightmark Triple Duty Riflescopes come equipped with tactical elevation and windage adjustments that can be repositioned to align with the original MOA hash mark. In order to reposition:

1. Using a 1.5mm metric hex wrench, loosen the three set screws located along the top edge of the adjustments.
2. Next, tighten the windage and elevation locks (9).
3. Then rotate the adjustment turret and set the MOA hash marks back to zero.
4. Once the knob is zeroed, retighten the three set screws making sure not to over tighten. After all three set screws are sufficiently tightened, the mechanism will re-engage.

## **MAGNIFICATION ADJUSTMENT**

The Sightmark Triple Duty Riflescopes come equipped with variable magnification. Rotate the magnification ring (4) to the desired setting. Note: Do not loosen the screw located on the magnification ring, doing so will cause problems with the magnification function.

## **DIOPTER ADJUSTMENT**

The diopter is the measurement of the eye's curvature. People's eyes are all curved differently. Sightmark Triple Duty Rifle scopes have a diopter adjustment (5) that helps attain a clear sharp reticle. If the reticle does not appear clear, crisp, nor sharp, rotate the diopter adjustment ring until the reticle becomes sharp. This adjustment should stay the same unless the rifle scope's operator changes.

## **PARALLAX ADJUSTMENT**

Sightmark's higher magnification riflescopes do come equipped with a parallax adjustment knob. Parallax is the change of angular position of two stationary points relative to each other as seen by an observer. In other words, it's how the image lines up in the rifle scope and how the eye perceives it. Be sure to adjust the parallax knob to the correct shooting range. It is very important to keep this in mind when zeroing the rifle. If this is not taken into consideration at the time of sighting in the rifle scope, accuracy will diminish.

In order to adjust parallax:

Rotate the side parallax adjustment knob (7) on the side of the unit to the desired shooting range. Distances are noted on the parallax adjustment knob.

## **RETICLE OPTIONS**

The Sightmark Triple Duty Riflescopes offer a variety of reticles for tactical situations, competition shooting, and hunting. Currently, Sightmark Triple Duty scopes come equipped with two versions of the US Army Mil Dot reticle (MD and MDD), Circle Dot reticle (CD), Circle Dot Duplex reticle (CDD), and Dot Duplex reticle (DX).

## MIL-DOT RETICLE

The US Army Mil Dot reticle (MD and MDD) comes in two illumination versions. The MD reticle, initially Sightmark's standard reticle, illuminates the entire Mil-Dot crosshair. The MDD version illuminates the center point of the Mil-Dot cross hair only. This is intended to provide the shooter a keen aiming point for assistance in accurate shooting. In order to use the Mil-Dot reticle accurately, please read the following:

Mil stands for milliradian,  $1/1623.2$ th of a circle or 3.438 MOA. The milliradian represents 1 unit at 1000 yds. To simplify, a target that is one yard tall at 1000 yds would measure 1 milliradian.

### CALCULATION METHOD

In order to determine distance there are three variables: target size, mils read, and range. In order to determine distance, the target size must be known. By using the reticle, mils read can be determined and the following calculation can be used to drive an estimated distance.

Target size (in yds)  $\times$  1000/Mils read = yds to target

For example, a full size deer is approximately six ft long.

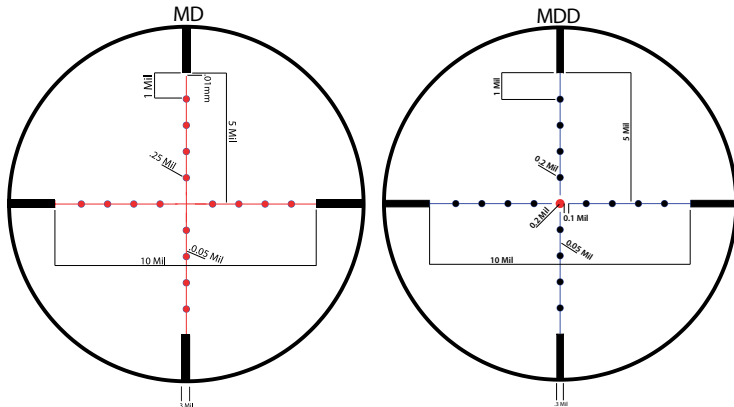
Convert ft into yds ( $3' = 1\text{yd}$ ).

Now measure the deer with the mil-dot reticle; it is 4 mils long.

Next multiply the target size by the constant of 1000.

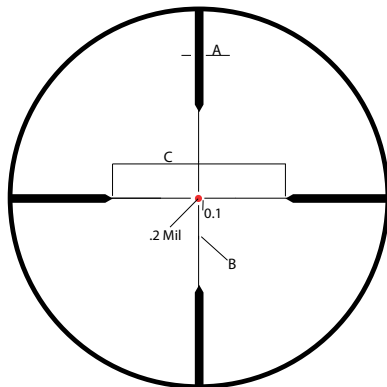
This equals 2000. Now divide 2000 by mils read (4), this equals 500.

So the deer is roughly 500 yds away.



## DOT DUPLEX RETICLE

The Dot Duplex reticle (DX) features a fine central crosshair with a center illumination aiming point. This provides the shooter a keen aiming point for added accuracy while shooting. The broad exterior subtensions create contrast between the target allowing for quick reticle recognition. The Dot Duplex reticle creates an unobstructed view of the target, perfect for making precision shots while hunting.



Model	1-6x24		2.5-10x42		3-9x42		4-16x44		6-25x56		10-40x56	
Magnification	1	6	2.5	10	3	9	4	16	6	25	10	40
A	24.84	4.14	3	0.75	2.58	0.86	1.88	0.47	1.25	0.3	2.18	0.62
B	3.96	0.66	0.78	0.2	0.67	0.22	0.49	0.12	0.33	0.08	0.4	0.1
C	124.74	20.79	27.6	6.9	23.77	7.92	17.3	4.74	11.5	2.76	12.48	3.12

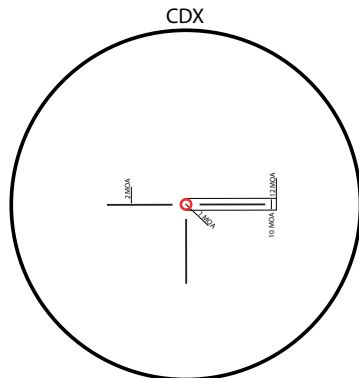
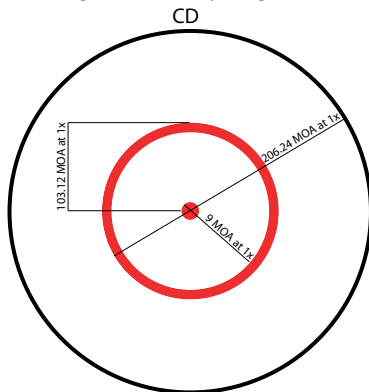
## CIRCLE DOT DUPLEX RETICLE

The Circle Dot Duplex reticle (CDX) features a circle dot with illumination capability with broad exterior subtensions. The central circle dot provides accurate shooting results at any magnification level; and with illumination capability it provides reticle contrast against backgrounds in low light conditions. The shortened exterior subtensions create an unobstructed view of the target allowing for quick target acquisition at any range.

## CIRCLE DOT RETICLE

The Circle Dot reticle (CD) features a circle dot with illumination capability. Provided only on the 1-6x24, the circle dot provides accurate shooting results at any magnification level. Perfect for tactical shooting, the circle dot provides quick target acquisition at 1x magnification and supreme accuracy at 6x magnification ideal for when conflicts advance to medium range shooting.

9 MOA center point 1x  
1.5 MOA center point at 6x  
206.24 MOA outer circle at 1x  
34.33 MOA outer circle at 6x



## OPERATING THE ILLUMINATED RETICLE

The Sightmark Triple Duty Riflescope features an illuminated reticle. Illuminating the reticle improves visual distinction between the target and the reticle in low/poor lighting conditions. The reticle can be used in the following states: black (off), red or green. Red and green illumination consists of five levels of brightness. To illuminate reticle:

1. Rotate the reticle illumination adjustment (8) located on the left side of the riflescope.
2. Turn the adjustment dial to the desired brightness level until the reticle stands out against the target.

Note: Settings 1-3 are intended for use in low light conditions. Settings 4 and 5 are intended for use in bright light conditions.

## REPLACING THE BATTERY

If the reticle appears dim or fails to illuminate, the battery needs to be replaced. The Sightmark Triple Duty Riflescopes use a CR2032 to illuminate the reticle. 3 volt CR2032 batteries can be purchased at stores where batteries are sold or online. In order to replace the battery:

1. Remove the battery cap located on the reticle illumination adjustment (8) with a flat head screw driver. Rotate the cap counterclockwise until it is removed. Hold the illumination adjustment in place to prevent it from rotating.
2. Remove the old battery from the compartment and insert the new battery with the positive (+) side up.
3. Replace the battery cap on the reticle illumination adjustment. Use a flat head screw driver and rotate the cap clockwise until it is securely attached. It might be necessary to hold the illumination adjustment in place to prevent it from rotating.
4. Check that the reticle illumination is now functioning properly.

## MAINTENANCE

Proper maintenance of the riflescope is recommended to ensure longevity. It is recommended that when the riflescope becomes dirty that it is wiped down with a dry or slightly damp cloth. Blow dirt and debris off all optics and then clean lenses with a lens cleaning cloth. No further maintenance is required.

## WARNING

All Sightmark riflescopes are nitrogen purged and o-ring sealed. Do NOT disassemble the riflescope for any reason as this will void the warranty and could be hazardous. Any internal work should be handled by the manufacturer. Any tampering with the purge screw will void the warranty.

## TROUBLESHOOTING

Never ship back a riflescope without getting proper authorization beforehand. Doing so could result in losing the riflescope due to a multitude of reasons, i.e. sending it to the wrong address and other problems associated with unexpected packages.

1. Check the firearms mount that it is securely attached. Also, verify the riflescope is mounted securely to the rifle. If there is any shifting, retighten the mounting system according to the mounting instructions but do not over tighten.
2. When test firing a rifle to check the point of impact relative to windage and elevation adjustment, firing from a shooting rest will help eliminate any shifting during firing.
3. Be sure to use factory-loaded ammunition of the same bullet type, weight, and preferably lot number when sighting in the riflescope.

## SIGHTMARK WARRANTY

Please visit [www.sightmark.com](http://www.sightmark.com) for warranty details and information.

# FRANCAIS



## **DU SIGHTMARK LE DEVOIR TRIPLE ET LA SÉRIE de RIFLESCOPES**

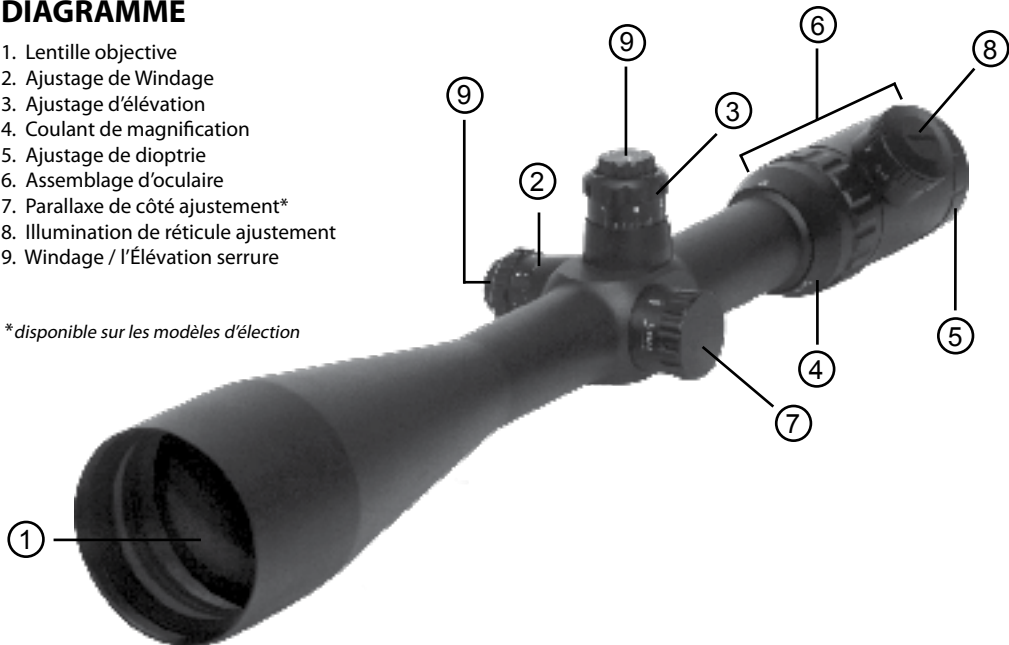
La Sightmark Triple Duty™ Series et la Tactical Series de riflescopes utilisent le verre d'avant-garde et les couches de lentille pour garantir que c'est riflescope le plus exact dans sa classe. L'optique multienduite de précision est une caractéristique de distinction du Sightmark Triple Duty, la ligne du riflescope; les lentilles multi enduites offrent une vue claire pour l'acquisition prévue facile dans les situations tant claires brillantes que basses. À la fois imperméable et anti-buée, le Sightmark Triple Duty lunettes de visée fonction dérive tactique et l'élévation avec possibilité de verrouillage assurant la portée reste à zéro. Le réglage latéral de la parallaxe \* offre une précision de précision de près de tir à longue portée. Disposant d'une gamme de réticules, le Triple Sightmark Série de service peut être utilisé pour le tir tactique, le tir de compétition, et la chasse.

*\*disponible sur les modèles d'élection*

## DIAGRAMME

1. Lentille objective
2. Ajustage de Windage
3. Ajustage d'élévation
4. Coulant de magnification
5. Ajustage de dioptrie
6. Assemblage d'oculaire
7. Parallaxe de côté ajustement\*
8. Illumination de réticule ajustement
9. Windage / l'Élévation serrure

*\*disponible sur les modèles d'élection*



# SPÉCIFICATIONS

## CARACTÉRISTIQUES:

- Exactitude de précision
- Fermeture turrets
- Deuxième plan focal réticules
- Large champ de vue
- La précision a multi enduit l'optique
- Phase couche corrigée
- Intérieur a allumé reticle
- Diamètre du tube 30mm
- Parallaxe ajustement\*
- Azote purgé
- Poids léger
- Imperméable
- Protégé contre les chocs
- Preuve de brouillard

	1-6x24	2.5-10x32
Type de reticle	CD, CDX, DX	CDX, DX, MDD
Diamètre de l'objectif (mm)	24	32
Le champ de vue (m @ 100m)	33.47-5.53	14.69-3.67
Élève de sortie (mm)	16.0-4.0	12.8-3.2
Relief d'oeil (mm)	110-88	105-98
Type de batterie	CR2032	CR2032
Parallaxe (yards)	100	100
Imperméable / l'azote s'est rempli (oui/non)	oui	oui
Grossissement	1-6	2.5-10
Dioptrie (+/-)	2 to -3	2 to -3
Windage / l'Élévation (MOA)	90	100
MOA (un claquement, in)	1/2"	1/4"
Windage / la serrue d'Élévation (oui/nun)	oui	oui
Dimensions (mm)	390x116x85	455x106x80

*\*disponible sur les modèles d'élection*

3-9x42	4-16x44	8.5-25x50	10-40x56	6-25x56
MD, CDX, DX, MDD	MD, CDX, DX, MDD	MD, CDX, DX, MDD	MD, CDX, DX, MDD	MD, CDX, DX, MDD
42	44	50	56	56
13.99-4.64	9.61-2.44	4.89-1.66	3.84-.98	5.8-1.5
14-4.46	11-2.75	5.8-2.0	5.6-1.4	9.3-2.4
115.5-91	120.0-88.4	98.6-88	97.5-85	90
CR2032	CR2032	CR2032	CR2032	CR2032
100	12-∞	12-∞	12-∞	12-∞
oui	oui	oui	oui	oui
3-9	4-16	8.5-25	10-40	6-25
2 to -3	2 to -3	2 to -3	2 to -3	2 to -3
60	60	60	60	100/60
1/4"	1/8"	1/8"	1/8"	1/4"
nun	nun	oui	oui	oui
326x65x75	376x85x75	405x85x76	417x85x83	560x130x95

## INSTALLATION

Il est recommandé de faire monter le riflescope par un armurier professionnel. Pourtant, en essayant de monter le riflescope sans assistance professionnelle, lisez s'il vous plaît et adhérez sévèrement aux directions suivantes.

1. Tous riflescopes viennent avec les anneaux fondamentaux pour le fait de monter immédiat.
2. **Décharger l'arme. Enlevez l'épingle verrouille/tirant pour garantir que l'arme est incapable du tir.**
3. Installer les portions plus basses des anneaux sur une base de Tisserand. Serrez les vis à entre 45 - les livres de 65 pouces de moment de torsion.
4. Placer le riflescope dans les anneaux et installer la portion supérieure des anneaux sans serrer pour que le riflescope puisse bouger librement.
5. Établir le relief d'oeil correct en déplaçant l'arme dans la position tirant. Pendant que dans la position tirant, déplacez le riflescope pour que très petit noir puisse être vu en feuilletant le riflescope.
6. Dès que le relief d'oeil est établi, vérifier l'alignement réticule en montrant le riflescope à un objet qui est le niveau et mettre en ligne le réticule.
7. Dès que l'alignement est vérifié, serrer les anneaux uniformément. Faites attention pas à serrent les vis comme cela pourrait tourner la possibilité. [vis de base de connexion et vis supérieures de boucle - 15 pouce/livres; écrou de boulon en travers de boucle - 68 pouce/livres] Vérifier l'alignement et la position, alors boresight le riflescope.

## BORESIGHTING

En utilisant un laser Sightmark boresight est la voie la plus exacte et convenable à la vue dans un riflescope.

1. En montant le riflescope sur un fusil d'action de verrou, enlevez le verrou.
2. En montant à un fusil automatique semi-, désassemblez le fusil jusqu'à ce qu'il y ait une ligne de visée droite par l'ennui, ou utiliser plusieurs miroirs du même effet.
3. Viser la cible à travers le trou, puis faire des ajustements hauteur et en dérive (voir "Utilisation de hauteur et en dérive Réglages" pour les instructions) de la lunette de visée jusqu'à ce que le réticule est centré sur la bulle. Pour vérifier la lunette de visée est exactement observé dans, toujours le feu d'un groupe d'essai de trois coups à 100yds.

4. Si vous êtes toujours hors du centre, prendre la quantité nécessaire des ajustements pour déplacer le réticule au centre de la cible.

5. Encore une fois le feu d'un groupe d'essai de trois coups, et utiliser le centre du groupe pour déterminer les derniers ajustements.

## **FONCTIONNEMENT AJUSTEMENTS HAUTEUR ET EN DÉRIVE**

Afin d'apporter des ajustements hauteur et en dérive:

1. Desserrer les verrous hauteur et en dérive (9) situé sur le dessus des tourelles hauteur et en dérive (2,3) en tournant dans le sens antihoraire.

2. Faire de la dérive et les ajustements nécessaires d'élévation. Les incréments MOA pour la dérive et d'élévation des ajustements sont notés sur la dérive / lock altitude. Par exemple, un 1 / 4 "augmentation MOA signifie que 1 clic déplace le point d'impact 1 / 4" à 100yds. Des ajustements peuvent être à la fois ressenti et entendu permet au tireur de faire des ajustements sans regarder les cadrans.

3. Après ces ajustements, serrer les verrous hauteur et en dérive (9) en tournant dans le sens horaire jusqu'à ce qu'ils sont fermement arrimés. Vérifiez que la prise au vent et les élévations sont incapables de tourner.

Après que tous les trois vis fixes sont suffisamment resserrées le re-engage de volonté de mécanisme. Répéter ces étapes pour la tourelle de windage.

## **ZÉRO AJUSTEMENTS HAUTEUR ET EN DÉRIVE**

Le Sightmark Triple Duty Riflescopes sont équipées avec l'altitude et les ajustements tactiques dérive qui peut être repositionné pour s'aligner avec la marque MOA hachage d'origine. Afin de repositionner:

1. Utiliser une clé hexagonale de 1,5 mm métriques, desserrer les trois vis de réglage situées le long du bord supérieur des ajustements.

2. Ensuite, serrer les verrous hauteur et en dérive (9).

3. Faites ensuite pivoter la tourelle et d'ajustement dans les marques de hachage MOA à zéro.

4. Une fois que le bouton est remis à zéro, resserrez les trois vis en veillant à ne pas trop serrer. Après les trois vis de fixation sont suffisamment serrées, le mécanisme se réengager.

## MAGNIFICATION

Le Sightmark Triple Duty Riflescopes sont équipées avec grossissement variable. Tournez la bague de grossissement (4) à la position désirée. Note: Ne pas desserrer la vis située sur la bague de grossissement, cela entraînerait des problèmes avec la fonction magnification.

## AJUSTEMENT DE PARALLAXE

Sightmark le plus haut riflescopes de grossissement vient équipé avec un bouton d'ajustement de parallaxe. La parallaxe est le changement de position angulaire de deux points à l'arrêt relatifs à chaque autre comme vu par un observateur. En d'autres termes, c'est comment l'image aligne dans le riflescope et comment l'œil le perçoit. Être sûr d'ajuster le bouton de parallaxe à la gamme de fusillade correcte. C'est très important de garder ceci présent à l'esprit quand zeroing le fusil. Si ceci n'est pas pris dans la considération lors d'apercevoir dans le riflescope, la précision diminuera.

Afin d'ajuster la parallaxe:

Tourner le bouton de réglage latéral de la parallaxe (7) sur le côté de l'appareil au champ de tir désiré. Les distances sont noté sur le bouton de réglage de parallaxe.

## L'AJUSTEMENT DE DIOPTRIE

Le viseur est la mesure de la courbure de l'œil. Les yeux des gens sont tous les courbes différemment. Sightmark Triple Duty Rifle Scope avoir un réglage de la dioptrie (5) qui permet d'atteindre un réticule claire et précise. Si le réticule ne semble pas claire, nette, ni forte, tournez la bague de réglage dioptrique jusqu'à ce que le réticule devient forte. Cet ajustement devrait rester le même, sauf changement d'exploitant de la lunette de visée.

## OPTIONS RETICULE

Le Sightmark Triple Duty Riflescopes offrent une variété de réticules pour les situations tactiques, le tir de compétition, et la chasse. Actuellement, Sightmark Triple Duty champs sont équipées de deux versions du réticule de l'armée américaine Mil Dot (MD et MDD), Circle Dot réticule (CD), Circle Dot Duplex réticule (CDD), et Dot Duplex réticule (DX)

## MIL-DOT RETICULE

L'armée américaine réticule Mil Dot (MD et MDD) est disponible en deux versions illumination. Le réticule MD, dans un premier réticule standard de Sightmark, illumine le réticule Mil-Dot ensemble. La version TDM illumine le centre de la chevelure Mil-Dot croix seulement. Cette mesure vise à fournir au tireur une pointe aiguë d'assistance visant à assurer un tir précis. Pour utiliser le réticule Mil-Dot avec précision, s'il vous plaît lisez ce qui suit:

Mil représente milliradian, 1/1623.2th d'un cercle ou 3,438 MOA. Le milliradian représente 1 unité à 1000 verges. Pour simplifier, un objectif qui est d'un mètre de haut à 1000 m serait la mesure 1 milliradian.

### MÉTHODE DE CALCUL

Afin de déterminer la distance il ya trois variables: taille de la cible, mils lire, et la gamme. Afin de déterminer la distance, la taille de la cible doit être connue. En utilisant le réticule, mils lire peut être déterminé et le calcul suivant peut être utilisé pour piloter une distance estimée.

Taille de la cible (en m.)  $\times$  1000/

Mils lire yds à cibler

Par exemple, un cerf taille est d'environ six pieds de long.

Ft Convertir en m. (3 ' = 1yd).

Maintenant mesure le cerf avec

le réticule Mil-Dot, elle est de 4 mils long.

Suivant la taille cible de

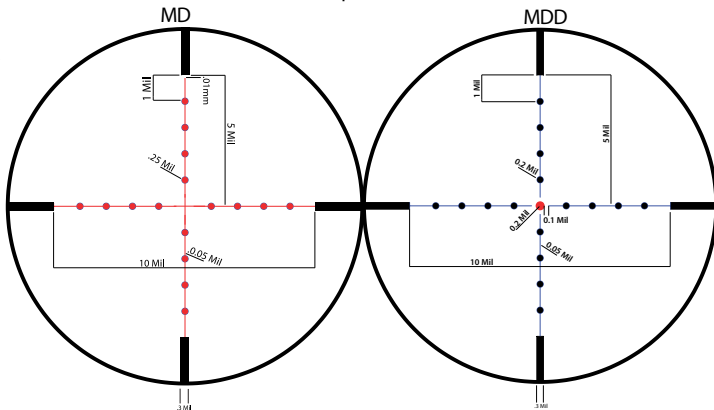
multiplier par la constante de 1000.

Cela équivaut à 2000. Maintenant,

divisez 2000 par mils lecture (4), ce

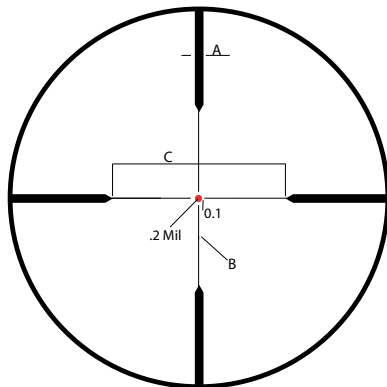
qui équivaut à 500. Ainsi, le cerf est

à peu près 500 m. loin.



## RETICULE DUPLEX DOT

Le Dot réticule Duplex (DX) dispose d'une croix centrale fine avec un point d'éclairage visant centre. Cela permet au tireur une pointe aiguë visant l'exactitude ajouté pendant le tournage. Le subtensions large extérieure de créer un contraste entre la cible permettant la reconnaissance rapide du réticule. Le Dot réticule Duplex crée une vue imprenable sur le cible, parfait pour faire des tirs de précision pendant la chasse.



Model	1-6x24		2.5-10x42		3-9x42		4-16x44		6-25x56		10-40x56	
Magnification	1	6	2.5	10	3	9	4	16	6	25	10	40
A	24.84	4.14	3	0.75	2.58	0.86	1.88	0.47	1.25	0.3	2.18	0.62
B	3.96	0.66	0.78	0.2	0.67	0.22	0.49	0.12	0.33	0.08	0.4	0.1
C	124.74	20.79	27.6	6.9	23.77	7.92	17.3	4.74	11.5	2.76	12.48	3.12

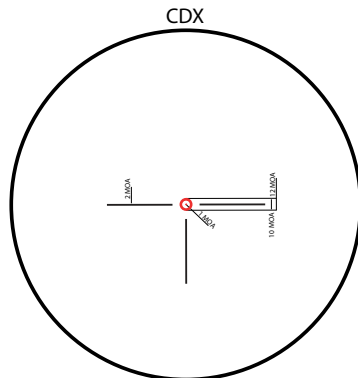
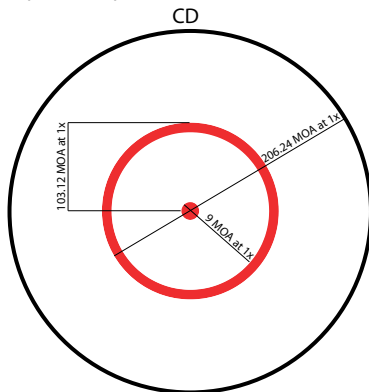
## Circle Dot RETICULE DUPLEX

Le Circle Dot Duplex réticule (CDX) dispose d'un cercle point avec possibilité d'éclairage avec de larges subtensions extérieur. Le cercle point central fournit des résultats précis de prise de vue à tout niveau de zoom, et avec possibilité d'éclairage qu'il donne un contraste réticule sur un fond en conditions de faible éclairage. Le subtensions extérieur raccourcie de créer une vue imprenable sur la cible permet une acquisition rapide de la cible à n'importe quelle distance.

## Circle Dot RETICULE

Le réticule Circle Dot (CD) dispose d'un cercle point avec possibilité d'éclairage. Pourvu que sur le 1-6x24, le cercle dot fournit des résultats précis de prise de vue à tous les niveaux de grossissement. Parfait pour le tir tactique, le cercle dot vous permet une acquisition rapide à un grossissement de 1x et la précision suprême à 6x idéal grossissement lorsque les conflits avant la prise de vue à moyenne portée.

9 1x MOA point central  
1,5 point de centre MOA à 6x  
206,24 MOA cercle extérieur à 1x  
34,33 MOA cercle extérieur à 6x



## EXPLOITATION LE RÉTICULE LUMINEUX

Le Sightmark Triple Duty Riflescope dispose d'un réticule lumineux. Éclairage du réticule améliore distinction visuelle entre la cible et le réticule dans la pénombre ou mauvaises conditions d'éclairage. Le réticule peut être utilisé dans les états suivants: noir (off), rouge ou vert. éclairage rouge et le vert se compose de cinq niveaux de luminosité. Pour éclairer réticule:

1. Tournez le réglage éclairage du réticule (8) situé sur le côté gauche de la lunette de visée.
2. Tournez la molette de réglage pour le niveau de luminosité désiré jusqu'à ce que le réticule se détache sur la cible.

Remarque: Les préférences de 1-3 sont destinés à être utilisés en conditions de faible éclairage. Paramètres 4 et 5 sont destinés à être utilisés dans des conditions de luminosité

## REMPACEMENT DE LA PILE

Si le réticule est faible ou ne s'allume pas, la batterie doit être remplacée. Le Sightmark Triple Duty Lunettes utiliser une pile CR2032 pour éclairer le réticule. 3 volts CR2032 piles peuvent être des achats dans les magasins où on vend des piles ou en ligne. Pour remplacer la pile:

1. Retirez le couvercle de la pile situé sur l'ajustement éclairage du réticule (8) avec un tournevis à tête plate. Tourner le bouchon jusqu'à ce qu'il soit retiré. Maintenir le réglage d'éclairage en place pour l'empêcher de tourner.
2. Retirez la pile usagée du compartiment et insérez la nouvelle pile avec le pôle positif (+) vers le haut.
3. Remplacer le capuchon de la pile sur l'ajustement éclairage du réticule. Utilisez un tournevis à tête plate et tournez le couvercle jusqu'à ce qu'il soit solidement fixé. Il pourrait être nécessaire pour maintenir le réglage d'éclairage en place pour l'empêcher de tourner.
4. Vérifiez que l'éclairage du réticule est maintenant fonctionner correctement.

## L'ENTRETIEN

L'entretien Correct du riflescope est recommandé pour garantir la longévité. Il est recommandé que quand le riflescope devienne sale qu'il est essuyé avec un sec ou étouffe légèrement du tissu. Souffler de la terre et du débris de tout optique et nettoie alors des lentilles avec un chiffon de lentille. Aucun plus ample entretien n'est exigé.

## L'AVERTISSEMENT

Ne PAS démonter le riflescope pour la raison comme ceci annulera la garantie et pourrait être hasardeux. Le travail interne devrait être contrôlé par le fabricant. N'importe quel altérer la vis de purge annulera la garantie.

## LE DEPANNAGE

Jamais bateau soutient un riflescope sans obtenir l'autorisation correcte d'avance. Faire pourrait avoir pour résultat perdant si le riflescope en raison d'une multitude de raisons, c.-à-d. l'envoyant à la mauvaise adresse ou aux autres problèmes associés avec les paquets imprévus.

1. Vérifiez le montage des armes à feu qu'il est solidement fixé. En outre, vérifiez la lunette de visée est solidement fixé à la carabine. S'il ya un décalage, resserrer le système de montage selon les instructions de montage, mais ne pas trop serrer.
2. Lors du tir d'essai d'un fusil de vérifier le point d'impact par rapport au réglage de la dérive et d'élévation, de tir à partir d'un reste de tir aidera éliminer tout déplacement pendant le tir.
3. Assurez-vous d'utiliser des munitions chargée en usine du type même balle, le poids, et de préférence le numéro de lot lors de visée de la lunette.

## GARANTIE DE SIGHTMARK

Visitez s'il vous plaît [www.sightmark.com](http://www.sightmark.com) pour des détails et l'information de garantie.

# ESPAÑOL



## EN CUANTO A LAS MIRAS TELESCÓPICAS SIGHTMARK, SERIES TRIPLE DUTY

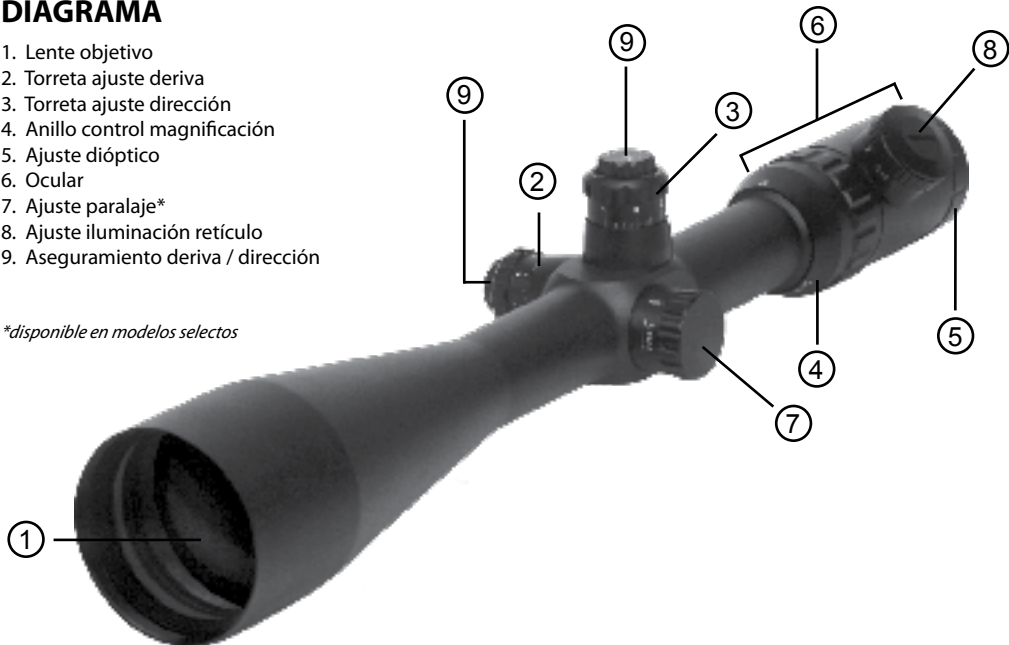
Las miras telescópicas Sightmark, series Triple Duty™ y Táctica, usan tecnologías de punta en la fabricación de lentes y revestimientos con el fin de garantizar que son las miras más precisas en su clase. Ópticas con revestimientos múltiples de alta precisión son una de las características primordiales en la serie Triple Duty; lentes con revestimientos múltiples ofrecen máxima claridad para adquisición máxima de objetivos en condiciones de alta y baja luminosidad. Ambos impermeable y resistente a la niebla, el Sightmark Triple visores de servicio característica deriva táctica y ajustes de elevación con capacidad de bloqueo de asegurar el ámbito de aplicación queda a cero. La paralaje lado \* proporciona una precisión de ajuste de precisión para cerca de disparo a larga distancia. Con una variedad de retículas, la Triple SightmarkSerie de impuestos pueden ser utilizados para tiro táctico, tiro deportivo y la caza.

*\*disponible en modelos selectos*

## DIAGRAMA

1. Lente objetivo
2. Torreta ajuste deriva
3. Torreta ajuste dirección
4. Anillo control magnificación
5. Ajuste dióptico
6. Ocular
7. Ajuste paralaje\*
8. Ajuste iluminación retículo
9. Aseguramiento deriva / dirección

*\*disponible en modelos selectos*



## Diámetro de la lente del objetivo

### CARACTERÍSTICAS:

- Precisión y exactitud
- Perillas con sistema de aseguramiento
- Segundo plano focal retículas
- Amplio campo de visión
- Ópticas multi-revezadas de alta precisión
- Corrección de fases
- Retículo iluminado
- Diámetro del tubo de 30 mm
- Ajuste de paralaje\*
- Purgado en nitrógeno
- Liviano
- Resistente al agua
- Resistente a impactos
- Resistente a humedad

Retículo	
Diámetro de la lente del objetivo (mm)	
Campo de visión (m @ 100m)	
Salida de pupila (mm)	
Relieve ocular (mm)	
Tipo de pila	
Paralaje (yards)	
Resistencia al agua / Purga nitrógeno	
Aumento	
Dióptico (+/-)	
Dirección / Deriva (MOA)	
MOA (un clic, in)	
Dirección / Deriva a aseguramiento	
Dimensiones (mm)	

1-6x24	2.5-10x32
CD, CDX, DX	CDX, DX, MDD
24	32
33.47-5.53	14.69-3.67
16.0-4.0	12.8-3.2
110-88	105-98
CR2032	CR2032
100	100
sí	sí
1-6	2.5-10
2 to -3	2 to -3
90	100
1/2"	1/4"
sí	sí
390x116x85	455x106x80

\*disponible en modelos selectos

3-9x42	4-16x44	8.5-25x50	10-40x56	6-25x56
MD, CDX, DX, MDD	MD, CDX, DX, MDD	MD, CDX, DX, MDD	MD, CDX, DX, MDD	MD, CDX, DX, MDD
42	44	50	56	56
13.99-4.64	9.61-2.44	4.89-1.66	3.84-98	5.8-1.5
14-4.46	11-2.75	5.8-2.0	5.6-1.4	9.3-2.4
115.5-91	120.0-88.4	98.6-88	97.5-85	90
CR2032	CR2032	CR2032	CR2032	CR2032
100	12-∞	12-∞	12-∞	12-∞
sí	sí	sí	sí	sí
3-9	4-16	8.5-25	10-40	6-25
2 to -3	2 to -3	2 to -3	2 to -3	2 to -3
60	60	60	60	100/60
1/4"	1/8"	1/8"	1/8"	1/4"
no	no	sí	sí	sí
326x65x75	376x85x75	405x85x76	417x85x83	560x130x95

## INSTALACIÓN

Se recomienda que la mira telescópica sea instalada por un armero profesional. Sin embargo, si desea instalar la mira sin asistencia profesional por favor lea y siga las siguientes instrucciones y direcciones.

1. Las miras telescópicas cuentan con anillos básicos incluidos para rápido montaje.
2. **Descargue el arma. Remueva el cerrojo/aguja percutora para inutilizar el arma.**
3. Instale la parte inferior de los anillos en la base Weaver. Ajuste los tornillos ejerciendo una fuerza de 45-60 libras por pulgada.
4. Coloque la mira telescópica en los anillos e instale la parte superior de los anillos sin apretar los tornillos de manera que la mira se pueda mover fácilmente.
5. Establezca el relieve ocular correcto al colocar el arma en posición de disparo. Mueva la mira telescópica hacia adelante o hacia atrás de manera que no se observe color negro a través del ocular.
6. Una vez haya establecido el relieve ocular, verifique la alineación del retículo apuntando el arma a un objeto que este nivelado horizontalmente y haga las correcciones necesarias.
7. Una vez la alineación del retículo este verificada, apriete los tornillos balanceadamente. Asegúrese de no sobre apretar los tornillos ya que esto puede sumir la miras telescópica. [tornillos base accesorios y tornillos anillo superior - 15 pulgada/libras; tuerca anillo transversal - 68 pulgada/libras]
8. Revise alineación y posición, posteriormente proceda a colimar la mira telescópica.

## COLIMACIÓN

La forma más fácil de colimar la mira telescópica es por medio del uso de un colimador laser Sightmark.

1. Cuando la mira telescópica sea instalada en un rifle con acción de cerrojo, remueva el cerrojo completamente.
2. Cuando la mira telescópica este montada en rifle semiautomático, desarme el rifle completamente con el fin de que exista una línea directa de visión a través del cañón. Si esto no es posible, utilice varios espejos para lograr el mismo resultado.
3. Vista en el objetivo a través del agujero y luego realizar los ajustes de compensación de viento y elevación (véase el "Manual de compensación de viento y elevación ajustes" para obtener instrucciones) de la mira telescópica hasta que

3. Vista en el objetivo a través del agujero y luego realizar los ajustes de compensación de viento y elevación (véase el “Manual de compensación de viento y elevación ajustes” para obtener instrucciones) de la mira telescópica hasta que la retícula se centra en la diana. Para verificar el visor es exactamente visto en, siempre el fuego un grupo de prueba de tres inyecciones en 100yds.

4. Si usted todavía está fuera del centro, que la cantidad necesaria de ajustes para mover la retícula en el centro de destino.

5. Una vez más el fuego un grupo de prueba de tres golpes, y utilizar el centro del grupo para determinar los ajustes finales.

## **AJUSTES DE FUNCIONAMIENTO ALZA Y EN DERIVA**

Con el fin de realizar los ajustes de compensación de viento y elevación:

1. Afloje los bloqueos alza y en deriva (9), ubicado en la parte superior de las torretas de corrección vertical y elevación (2,3), girando hacia la izquierda.

2. Hacer que el efecto del viento y los ajustes necesarios elevación. Los incrementos Ministerio de Agricultura para la compensación de viento y ajustes de elevación se observan en el efecto del viento / bloqueo de la elevación. Por ejemplo, un 1 / 4"incremento MOA significa que uno se mueve, haga clic en el punto de impacto 1 / 4" en 100yds. Los ajustes pueden ser a la vez sintió y oyó que permite al tirador para hacer ajustes sin tener en cuenta la marca.

3. Después se hacen los ajustes, apriete los seguros de compensación de viento y elevación (9) girando en sentido horario hasta que estén bien asegurados. Compruebe que el efecto del viento y las elevaciones no son capaces de girar.

Proceda a rotar la perilla hasta que las marcas de referencia MOA se encuentren nuevamente en cero. El mecanismo se reajustara una vez los 3 tornillos de anclaje estén suficientemente apretados. Repita este mismo paso para la torreta de deriva.

## **AJUSTES DE PUESTA A CERO ALZA Y EN DERIVA**

Con el fin de realizar los ajustes de compensación de viento y elevación:

1. Afloje los bloqueos alza y en deriva (9), ubicado en la parte superior de las torretas de corrección vertical y elevación (2,3), girando hacia la izquierda.

2. Hacer que el efecto del viento y los ajustes necesarios elevación. Los incrementos Ministerio de Agricultura para la compensación de viento y ajustes de elevación se observan en el efecto del viento / bloqueo de la elevación. Por ejemplo, un 1 / 4"incremento MOA significa que uno se mueve, haga clic en el punto de impacto 1 / 4" en 100yds. Los ajustes pueden ser a la vez sintió y oyó que permite al tirador para hacer ajustes sin tener en cuenta la marca.

3. Después se hacen los ajustes, apriete los seguros de compensación de viento y elevación (9) girando en sentido horario hasta que estén bien asegurados. Compruebe que el efecto del viento y las elevaciones no son capaces de girar. Proceda a rotar la perilla hasta que las marcas de referencia MOA se encuentren nuevamente en cero. El mecanismo se reajustará una vez los 3 tornillos de anclaje estén suficientemente apretados. Repita este mismo paso para la torreta de deriva

## **MAGNIFICACIÓN**

El Sightmark Triple Duty Riflescopes están equipadas con un aumento variable. Gire el anillo de los aumentos (4) a la posición deseada. Nota: No afloje el tornillo situado en el anillo de aumento, ello causará problemas con la función magnification.

## **AJUSTE DIÓPTICO**

La dioptría es la medición de la curvatura del ojo. Los ojos de la gente son todas curvas de otra manera. Sightmark Triple Duty Rifle scope tienen un ajuste de dioptrías (5) que ayuda a alcanzar una retícula fuerte claro. Si la retícula no aparece claro y nítido, ni fuerte, gire el anillo de ajuste de dioptrías hasta que la retícula se convierte en fuerte. Este ajuste debe suspender el mismo a menos que cambie de operador de la mira telescópica.

## **AJUSTE DE PARALAJE**

Las miras telescópicas Sightmark de alta magnificación vienen equipadas con un sistema para ajuste de paralaje. Paralaje es el cambio de posición angular de dos puntos estacionarios relativo a cada uno visto por un observador. En otras palabras, es como la imagen se alinea en la mira telescópica y como el ojo la percibe. Asegúrese de ajustar la perilla de paralaje al rango estimado de tiro. Es importante que este punto sea tenido en consideración al momento de colimación del arma ya que esto puede ser un factor determinante en la precisión.

## **OPCIONES RETÍCULA**

El Sightmark Triple Duty Riflescopes ofrecen una variedad de retículas de situaciones tácticas, el tiro deportivo y la caza. En la actualidad, Sightmark Triple ámbitos de servicio están equipadas con dos versiones del Ejército de los EE.UU. retícula Mil Dot (DM y TDM), Círculo de puntos del retículo (CD), Círculo de puntos del retículo dúplex (CDD), y Dot retícula dúplex (DX)

## MIL-DOT RETÍCULA

Ejército de los EE.UU. retícula Mil Dot (DM y TDM) se presenta en dos versiones de la iluminación. La retícula MD, inicialmente retícula estándar de Sightmark, ilumina el punto de mira todo el Mil-Dot. La versión TDM ilumina el punto central del cabello Mil-Dot cruz solamente. Con ello se pretende proporcionar al tirador un punto agudo con el objetivo de asistencia para disparar con precisión. Para poder usar la retícula Mil-Dot con precisión, por favor lea lo siguiente:

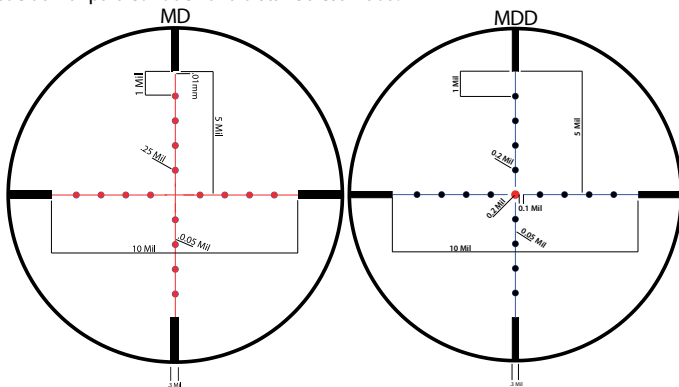
Mil significa milliradian,  $1/1623.2^{\text{th}}$  de un círculo o Ministerio de Agricultura 3.438. El milliradian representa 1 unidad a 1000 yardas. Para simplificar, un objetivo que es un metro de altura a 1.000 yardas mediría un milliradian.

### MÉTODO DE CÁLCULO

Con el fin de determinar la distancia que hay tres variables: tamaño de destino, leer milésimas, y el rango. Con el fin de determinar la distancia, el tamaño de destino debe ser conocido. Mediante el uso de la retícula, mils lectura se puede determinar y el siguiente cálculo se puede utilizar para conducir una distancia estimada.

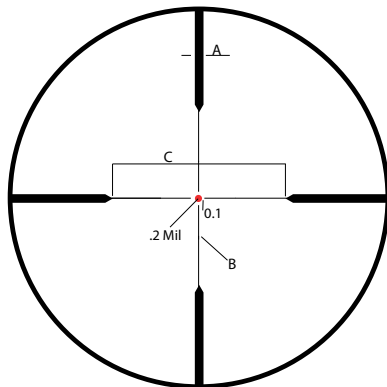
El tamaño final (en yardas)  $x = 1000 /$   
Mils leer yardas a destino

Por ejemplo, un ciervo de tamaño completo es de aproximadamente seis pies de largo. Convertir pies en yardas ( $3' = 1\text{YD}$ ). Ahora mida el venado con los millones de puntos del retículo, que es de 4 milésimas de pulgada de largo. Siguiendo multiplicar el tamaño de destino por la constante de 1000. Esto equivale a 2000. Ahora divide el número 2000 por milésimas de lectura (4), esto equivale a 500. Así que el ciervo es de aproximadamente 500 yardas de distancia.



## PUNTO RETÍCULA DUPLEX

La retícula de puntos dúplex (DX) cuenta con una cruz fina central con un punto de iluminación con el objetivo central. Esto proporciona al tirador un punto agudo con el objetivo de precisión agregado durante la filmación. El Subtensiones exterior amplia crear un contraste entre el objetivo de permitir el reconocimiento del retículo rápida. La retícula de puntos Duplex crea una vista sin obstáculos de la blanco, perfecto para hacer tiros de precisión, mientras que la caza.



Modelo	1-6x24		2.5-10x42		3-9x42		4-16x44		6-25x56		10-40x56	
Aumento	1	6	2.5	10	3	9	4	16	6	25	10	40
A	24.84	4.14	3	0.75	2.58	0.86	1.88	0.47	1.25	0.3	2.18	0.62
B	3.96	0.66	0.78	0.2	0.67	0.22	0.49	0.12	0.33	0.08	0.4	0.1
C	124.74	20.79	27.6	6.9	23.77	7.92	17.3	4.74	11.5	2.76	12.48	3.12

## CÍRCULO DE PUNTO RETÍCULA DUPLEX

El Círculo de puntos del retículo dúplex (CDX) dispone de un círculo de puntos con capacidad de iluminación con amplia Subtensiones exterior. El círculo central de punto proporciona resultados precisos disparos en cualquier nivel de ampliación, y con capacidad de iluminación que proporciona un contraste retícula sobre fondos en condiciones de poca luz. El Subtensiones exterior acortado crear una vista sin obstáculos de la meta de permitir la adquisición de blanco rápida a cualquier distancia.

## CÍRCULO DE PUNTO RETÍCULA

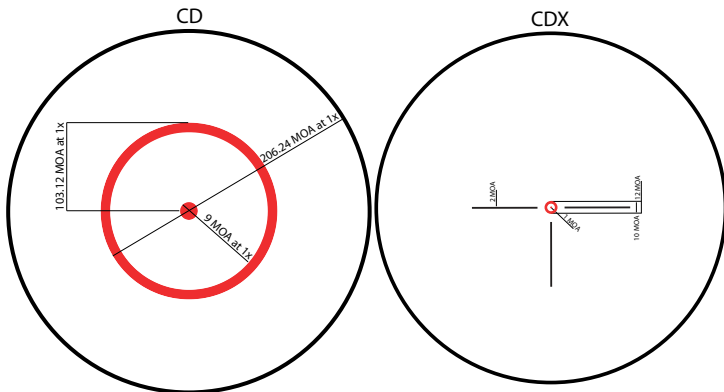
La retícula de puntos Círculo (CD) tiene un círculo de puntos con capacidad de iluminación. Siempre y sólo en el 1-6x24, el círculo de puntos proporciona resultados precisos disparos en cualquier nivel de ampliación. Perfecto para el tiro táctico, el círculo de puntos proporciona adquisición target rápida a una magnificación de 1x y la precisión en el ideal supremo de aumento de 6x para cuando los conflictos avanzar al campo de tiro medio.

9 Ministerio de Agricultura 1x punto central

1.5 MOA punto central a 6x

206,24 MOA exterior círculo en 1x

34.33 MOA círculo exterior a 6x



## **FUNCIONAMIENTO DEL RETÍCULA ILUMINADA**

El Sightmark Triple Duty Riflescope cuenta con una retícula iluminada. Iluminación de la retícula mejora la distinción visual entre el blanco y la retícula de bajos o condiciones de poca luz. La retícula se puede utilizar en los siguientes estados: negro (apagado), rojo o verde. Iluminación roja y verde se compone de cinco niveles de brillo. Para iluminar la retícula:

1. Gire el ajuste de la iluminación del retículo (8) situado en el lado izquierdo del visor.
2. Gire el dial de ajuste para el nivel de brillo deseado hasta que el retículo se destaca contra el blanco.

Nota: los valores 1.3 son para el uso en condiciones de poca luz. Configuración de 4 y 5 son para uso en condiciones de luz brillante.

## **CAMBIO DE LA BATERÍA**

Si la retícula está atenuada o no se enciende, la batería necesita ser reemplazada. El Sightmark Triple Duty Riflescopes utilizar un CR2032 para iluminar la retícula. 3 voltios CR2032 baterías pueden comprar en tiendas donde se venden las baterías o en línea. Con el fin de reemplazar la batería:

1. Retire la tapa de la batería ubicada en el ajuste de la iluminación del retículo (8) con un destornillador de punta plana. Gire a la izquierda de la tapa hasta que se retira. Mantenga el ajuste de la iluminación en el lugar para que no gire.
2. Retire la batería vieja del compartimiento y coloque la batería nueva con el polo positivo (+) hacia arriba.
3. Vuelva a colocar la tapa de la batería en el ajuste de la iluminación del retículo. Utilice un destornillador de punta plana y gire a la derecha el casquillo hasta que esté bien conectado. Puede ser que sea necesario llevar a cabo el ajuste de la iluminación en el lugar para que no gire.
4. Compruebe que la iluminación del retículo está funcionando correctamente.

## **MANTENIMIENTO**

Un mantenimiento adecuado es recomendado para garantizar máxima durabilidad. Es recomendado limpiar la mira telescópica con un paño especial ligeramente húmedo. Antes de limpiar los lentes con un paño especial para lentes, proceda a soplar fuertemente con el fin de remover partículas de tierra o polvo que puedan rayar los lentes.

## PRECAUCIÓN

Todas las miras telescópicas Sightmark tienen un relleno en nitrógeno y un empaque tipo O-anillo. Por ningún motivo desarme o trata de manipular la válvula del nitrógeno ya que corre riesgo de ser lastimado y automáticamente pierde la garantía. Cualquier trabajo de reparación interno debe ser manejado únicamente por la fábrica.

## LOCALIZACIÓN DE PROBLEMAS

Absténgase de regresar la mira telescópica a la fábrica sin una autorización previa ya que puede perder el artículo por razones como dirección equivocada o no estar identificado apropiadamente.

1. Verifica en el montaje de armas de fuego que está bien conectado. Además, compruebe el visor está montado de forma segura para el rifle. Si hay algún cambio, vuelva a ajustar el sistema de montaje de acuerdo a las instrucciones de montaje, pero no apriete demasiado.
2. Al disparar un rifle de prueba para comprobar el punto de impacto relativo a la compensación de viento y la elevación, el despido de un descanso de tiro ayudará a eliminar cualquier cambio durante la cocción.
3. Asegúrese de utilizar munición de fábrica de carga del tipo misma bala, peso, número de lote y de preferencia cuando se mira en el visor

## GARANTÍA SIGHTMARK

Por favor visite [www.sightmark.com](http://www.sightmark.com) para más detalles e información en cuanto a la garantía.

# DEUTSCH



## ÜBER DIE BAUREIHEN DER TRIPLE DUTY ZIELFERNROHRE VON SIGHTMARK

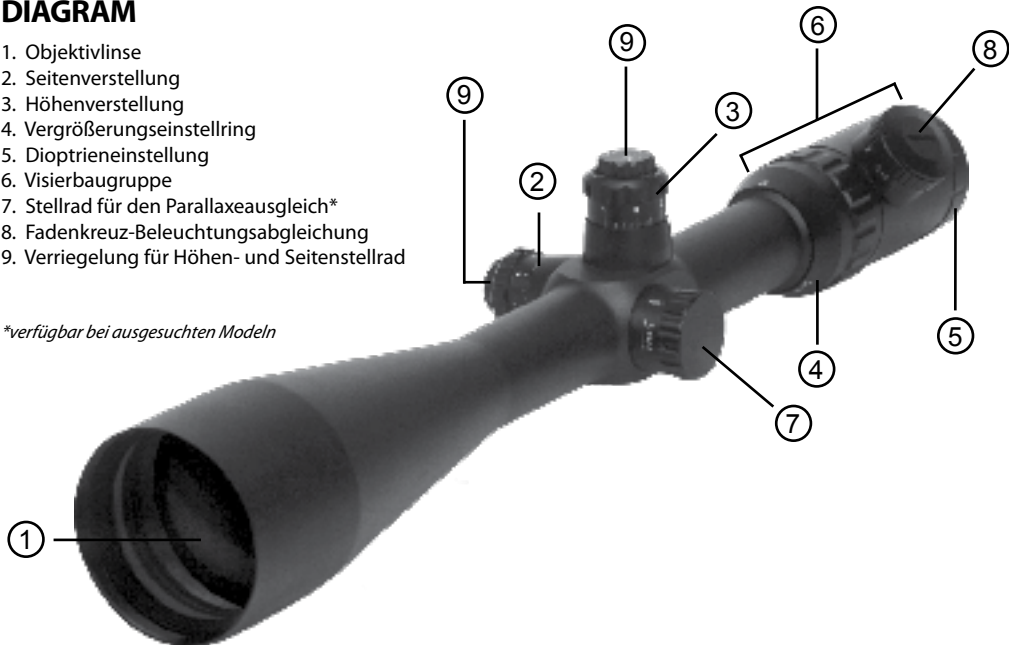
Die Baureihen der Sightmark „Triple Duty™“ und der taktischen Zielfernrohre nutzen topmoderne Glass- und Linsenbeschichtungen um zu garantieren, dass sie die Zielgenauesten ihrer Klasse sind. Präzise, mehrfach beschichtete Linsen sind ein charakteristisches Merkmal der Sightmark „Triple Duty“-Zielfernrohr Serie. Mehrfach beschichtete Linsen bieten eine klare Sicht für einfaches Anvisieren unabhängig von den Lichtverhältnissen. Beide wasserdicht und beschlagfrei, verfügen die Sightmark Triple Duty Zielfernrohre taktische Höhen- und Seitenverstellung Anpassungen mit Verriegelung Fähigkeit Gewährleistung der Umfang bleibt auf Null gesetzt. Die Seite Parallaxenausgleich \* bietet Präzision Genauigkeit nahe Long Range Shooting. Mit einer Vielzahl von Absehen, die Sightmark Triple Duty-Reihe können für taktisches Schießen, Schießen Wettbewerb, und die Jagd verwendet werden.

*\*verfügbar bei ausgesuchten Modellen*

## DIAGRAM

1. Objektivlinse
2. Seitenverstellung
3. Höhenverstellung
4. Vergrößerungseinstellung
5. Dioptrieneinstellung
6. Visierbaugruppe
7. Stellrad für den Parallaxenausgleich\*
8. Fadenkreuz-Beleuchtungsabgleichung
9. Verriegelung für Höhen- und Seitenstellrad

*\*verfügbar bei ausgesuchten Modellen*



# ANGABEN

## BESONDERHEITEN:

- Zielgenauigkeit
- Feststellbare Stellräder
- 2. Bildebene Absehen
- Weites Sichtfeld
- Präzise, mehrfach beschichtete Linsen
- Phasen-Korrigierte
- Integrierte Fadenkreuzbeleuchtung
- 30mm Rohrdurchmesser
- Parallaxenausgleich\*
- Stickstoff gereinigt
- Leichtbauweiße
- Wasserfest
- Stoßfest
- Nebelfest

Fadenkreuz	
Objektivdurchmesser	(mm)
Sichtfeld	(m @ 100m)
Austrittspupille	(mm)
Augenabstand	(mm)
Akku-Typ	
Parallaxe	(yards)
Wasserdicht/Stickstoff gefüllt	
Vergrößerung	
Dioptr	(+/-)
Seiten-/ Höhenverstellung	(MOA)
MOA	(klick, in)
Verriegelung für Seiten-/ Höhenverstellung	
Abmessungen	(mm)

1-6x24	2.5-10x32
CD, CDX, DX	CDX, DX, MDD
24	32
33.47-5.53	14.69-3.67
16.0-4.0	12.8-3.2
110-88	105-98
CR2032	CR2032
100	100
ja	ja
1-6	2.5-10
2 to -3	2 to -3
90	100
1/2"	1/4"
ja	ja
390x116x85	455x106x80

\*verfügbar bei ausgesuchten Modeln

3-9x42	4-16x44	8.5-25x50	10-40x56	6-25x56
MD, CDX, DX, MDD	MD, CDX, DX, MDD	MD, CDX, DX, MDD	MD, CDX, DX, MDD	MD, CDX, DX, MDD
42	44	50	56	56
13.99-4.64	9.61-2.44	4.89-1.66	3.84-98	5.8-1.5
14-4.46	11-2.75	5.8-2.0	5.6-1.4	9.3-2.4
115.5-91	120.0-88.4	98.6-88	97.5-85	90
CR2032	CR2032	CR2032	CR2032	CR2032
100	12-∞	12-∞	12-∞	12-∞
ja	ja	ja	ja	ja
3-9	4-16	8.5-25	10-40	6-25
2 to -3	2 to -3	2 to -3	2 to -3	2 to -3
60	60	60	60	100/60
1/4"	1/8"	1/8"	1/8"	1/4"
nein	nein	ja	ja	ja
326x65x75	376x85x75	405x85x76	417x85x83	560x130x95

## **MONTAGE**

Es wird empfohlen das Zielfernrohr von einem Fachmann anbringen zu lassen. Sollten Sie das Zielfernrohr ohne professionelle Hilfe anbringen wollen lesen Sie bitte die Anleitung und halten sich strikt an die beschriebene Vorgehensweise.

1. Alle Zielfernrohre werden mit Standartringen zum direkten Anbringen geliefert.
2. Entladen Sie die Waffe. Entfernen Sie den Schlagbolzen um Sicherzustellen, dass die Waffe außerstande ist zu feuern.
3. Befestigen Sie die unteren Ringe auf dem Schwenklager.
4. Plazieren Sie das Zielfernrohr in den Ringen und setzen sie die oberen Ringe locker auf, so dass das Zielfernrohr noch bewegt werden kann.
5. Legen Sie den korrekten Augenabstand fest indem Sie die Waffe in Schussposition bringen. Während sich die Waffe in Schussposition befindet verstellen sie die Position des Zielfernrohres, so dass ein wenig Schwarz zu sehen ist wenn sie durch das Zielfernrohr blicken.
6. Wenn der Augenabstand festgelegt ist überprüfen sie die Ausrichtung des Fadenkreuzes indem Sie das Zielfernrohr auf ein Objekt in gleicher Höhe ausrichten.
7. Sobald die Ausrichtung überprüft ist können Sie die oberen Ringe festziehen. Bitte achten Sie darauf die Schrauben nicht zu überdrehen, da dies das Rohr verziehen könnte. [Schwenkmontage-Schrauben Und Auflageringschraube - 15 Zoll/Pfund; Lagerring Kreuzschlitzschraube Mutter - 68 Zoll/Pfund]
8. Überprüfen Sie erneut Ausrichtung und Position, dann stellen sie das Zielfernrohr ein.

## **EINSTELLEN**

Es wird empfohlen eine Sightmark Leuchtpunkt Einstellhilfe zu benutzen, da diese den einfachsten und bequemsten Weg bietet ein Zielfernrohr einzustellen.

1. Bei Montage auf einem Geradestutzenverschlussgewehr bitte den Schlagbolzen entfernen.
2. Bei Montage auf einer halbautomatischen Waffe bitte die Waffe soweit demontieren, dass ein gerader Blick durch die Bohrung möglich ist. Oder benutzen Sie mehrere Spiegel für den gleichen Effekt.

3. Ziel anvisieren durch die Bohrung und dann seitlich und höhen Anpassungen (siehe "Höhen-und Seitenverstellung Anpassungen" für Anweisungen), um das Zielfernrohr, bis das Fadenkreuz auf das Bullseye zentriert ist.

Um zu überprüfen, das Zielfernrohr ist genau in gesichtet, immer Feuer ein Drei-Schuss Testgruppe bei 100yds.

4. Wenn Sie noch aus der Mitte sind, die erforderlichen Betrag von Anpassungen des Absehen auf die Mitte des Ziels zu bewegen.

5. Wieder Feuer ein Drei-Schuss Testgruppe, und verwenden Sie die Mitte der Gruppe zu letzten Anpassungen zu bestimmen.

## **BETRIEBLICHE SEITLICH UND HÖHENVERSTELLUNGEN**

Um seitlich und höhen Anpassungen:

1. Lösen Sie die Höhen-und Seitenverstellung Schlösser (9) auf der Oberseite des Höhen-und Seitenverstellung Türmchen (2,3) durch Drehen gegen den Uhrzeigersinn entfernt.

2. Nehmen Sie die erforderlichen Höhen-und Seitenverstellung Anpassungen. Das MOA-Schritten für die Höhen-und Seitenverstellung Anpassungen sind auf der Seitenverstellung / Höhe Sperre hingewiesen. Zum Beispiel, "bedeutet, dass 1 MOA Zuwachs auf den Punkt des Aufpralls 1 / 4 bewegt" eine 1 / 4 auf 100yds. Anpassungen können sowohl fühlte und hörte damit der Schütze, Anpassungen, ohne auf den Zifferblättern zu machen.

3. Nach Anpassungen vorgenommen werden, ziehen Sie die Höhen-und Seitenverstellung Schlösser (9) durch Drehen im Uhrzeigersinn bis sie fest gesichert sind. Prüfen, ob die Windangriffsfläche und Erhebungen nicht drehen können.

## **EINSCHIESSEN SEITLICH UND HÖHENVERSTELLUNGEN**

Die Sightmark Triple Duty Zielfernrohre sind mit taktischen Höhe und Seite Anpassungen, die neu mit dem Original MOA Raute ausrichten kann ausgestattet. Um neu zu positionieren:

1. Mit einem 1,5 metrische Inbusschlüssel lösen Sie die drei Stellschrauben am oberen Rand der Anpassungen entfernt.

2. Anschließend ziehen Sie die Höhen-und Seitenverstellung Schlösser (9).

3. Dann drehen Sie die Einstellung Revolver und legen Sie die MOA Hash-Zeichen auf Null zurück.

4. Sobald der Knopf ist auf Null gestellt und ziehen Sie die drei Stellschrauben, dabei nicht zu fest anziehen. Nachdem alle drei Stellschrauben angezogen sind, wird der Mechanismus wieder ein.

## **VERGRÖßERUNGSSTELLRING**

Die Sightmark Triple Duty Zielfernrohre mit variabler Vergrößerung kommen ausgestattet. Drehen Sie die Vergrößerung Ring (4) auf die gewünschte Einstellung. Hinweis: Lösen Sie nicht die Schraube an der Vergrößerung Ring gelegen, werden damit Probleme mit der Funktion magnification verursachen.

## **DIOPTER EINSTELLUNG**

Die Dioptrie ist die Messung der Krümmung des Auges. People's Augen sind alle gebogen anders. Sightmark Triple Duty Zielfernrohr haben eine Dioptrieneinstellung (5), erreichen eine klare scharfe Fadenkreuz hilft. Wenn das Fadenkreuz nicht erscheint klare, scharfe, noch scharf, drehen Sie den Dioptrieneinstellring, bis das Fadenkreuz scharf wird. Diese Einstellung sollte gleich bleiben, es sei denn das Zielfernrohr der Betreiber Änderungen.

## **EINSTELLEN DES PARALLAXEAUSGLEICHS**

Sightmark's Zielfernrohre mit hoher Vergrößerung werden mit einem Stellrad zum Parallaxeausgleich geliefert. Unter Parallaxe versteht man ein Wechseln der Winkel zweier stationärer Punkte in Relation zueinander aus der Sicht des Beobachters. In anderen Worten geht es auf die korrekte Schussentfernung eingestellt ist. Dies ist sehr wichtig wenn sie die Waffe darum wie etwas im Zielfernrohr erscheint und wie es das Auge wahrnimmt. Stellen Sie sicher, dass der Parallaxeausgleich einstellen. Sollte dies beim einstellen der Waffe nicht berücksichtigt worden sein ist die Genauigkeit herabgesetzt.

## **ABSEHENS OPTIONS**

Die Sightmark Triple Duty Riflesopes bieten eine Vielzahl von Strichplatten für taktische Situationen, Wettbewerb Schießen und Jagen. Derzeit kommen Sightmark Triple Duty Bereiche mit zwei Version der US-Armee Mil Dot Absehen (MD und MDD) ausgestattet, Circle Dot Absehen (CD), Circle Dot Absehen Duplex (CDD) und Dot Absehen Duplex (DX)

## MIL-DOT ABSEHEN

Die US-Armee Mil Dot Absehen (MD und MDD) kommt in zwei Versionen Beleuchtung. Die MD-Absehen, zunächst die Standard-Sightmark Absehen, beleuchtet das ganze Mil-Dot Fadenkreuz. Die MDD Version beleuchtet den Mittelpunkt des Mil-Dot Fadenkreuz nur. Damit soll der Shooter bieten ein starkes Zielpunkt für die Unterstützung in präzises Schießen. Um die Mil-Dot Absehen genau verwenden, lesen Sie bitte die folgenden:

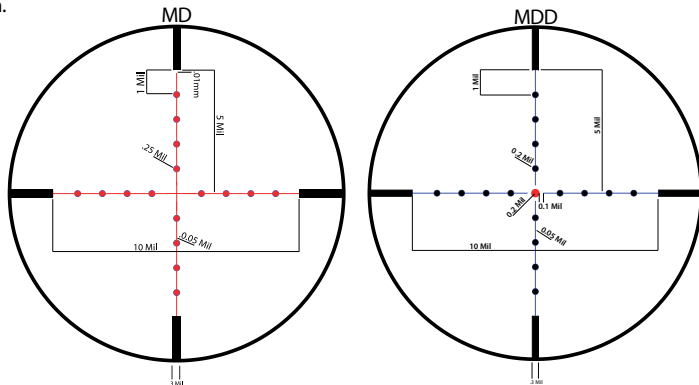
Mil steht für milliradian,  $1/1623.2^{\text{th}}$  eines Kreises oder 3,438 MOA. Die milliradian entspricht 1 Einheit bei 1000 Meter. Zur Vereinfachung, ein Ziel, einen Meter hoch auf 1000 m wäre 1 milliradian messen.

## BERECHNUNGSMETHODE

Um festzustellen, Entfernung gibt es drei Variablen: Zielgröße, mils lesen, und die Reichweite. Um festzustellen, Distanz, die Zielgröße müssen bekannt sein. Mit Hilfe der Absehen Mil lesen kann bestimmt werden und die folgende Berechnung kann ein geschätzter Abstand fahren.

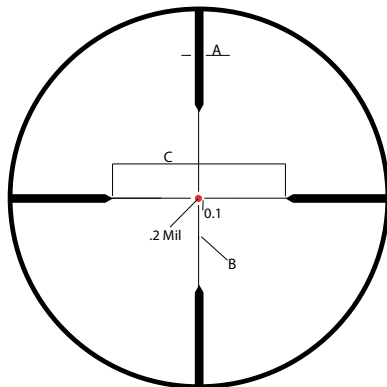
Target (in lfm)  $\times = 1000/\text{Mils lesen}$   
yds zum Ziel

Zum Beispiel, ist ein voller Größe Rehe etwa sechs Meter lang. Konvertieren ft in yds ( $3' = 1\text{yd}$ ). Nun messen Sie die Hirsche mit den Mil-Dot Absehen, es ist 4 Mil lang. Weiter multiplizieren die Zielgröße durch die Konstante von 1000. Dies entspricht 2000. Nun teilen 2000 von Mil lesen (4), dies entspricht 500. Also das Reh ist ca. 500 m entfernt.



## DOT DUPLEX-ABSEHEN

The Dot Absehen Duplex (DX) verfügt über ein feines Fadenkreuz mit einem zentralen Mitte Beleuchtung Zielpunkt. Dies bietet dem Schützen ein scharfes Zielpunkt für zusätzliche Genauigkeit beim Schießen. Die breite Strasse Deckungsmaße schaffen Kontrast zwischen dem Ziel so schnell Absehen Anerkennung. The Dot Absehen Duplex schafft einen freien Blick auf die Ziel, perfekt für die Herstellung Präzision Aufnahmen während der Jagd.



Modell	1-6x24		2.5-10x42		3-9x42		4-16x44		6-25x56		10-40x56	
Vergößerung	1	6	2.5	10	3	9	4	16	6	25	10	40
A	24.84	4.14	3	0.75	2.58	0.86	1.88	0.47	1.25	0.3	2.18	0.62
B	3.96	0.66	0.78	0.2	0.67	0.22	0.49	0.12	0.33	0.08	0.4	0.1
C	124.74	20.79	27.6	6.9	23.77	7.92	17.3	4.74	11.5	2.76	12.48	3.12

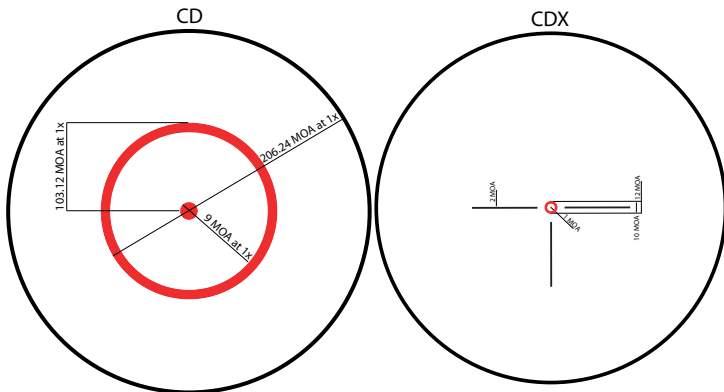
## CIRCLE DOT DUPLEX-ABSEHEN

The Circle Dot Absehen Duplex (CDX) verfügt über einen Kreis Punkt mit Beleuchtung Fähigkeit mit breiten Strasse Deckungsmaße. Der zentrale Punkt Kreis bietet präzise Schießen Ergebnisse bei jeder Vergrößerung Ebene und mit Beleuchtung Fähigkeit bietet es Absehen Gegensatz gegen Hintergründe bei schlechten Lichtverhältnissen. Die verkürzte äußere Deckungsmaße schaffen einen freien Blick auf das Ziel so für schnelle Zielerfassung zu jeder Palette.

## CIRCLE DOT ABSEHENS

The Circle Dot Absehen (CD) mit einem Kreis Punkt mit Beleuchtung Fähigkeit. Vorausgesetzt, nur auf der 1-6x24, der Kreis Punkt liefert genaue Ergebnisse Dreharbeiten zu jeder Vergrößerungsstufe. Perfekt für taktisches Schießen, Punkt des Kreises rovides schnell taget Erwerb bei 1x Vergrößerung und höchste Genauigkeit bei 6-facher Vergrößerung ideal, wenn Konflikte voraus bis mittleren Bereich Schießen.

9 MOA Mittelpunkt 1x  
1,5 MOA Mittelpunkt bei 6x  
206,24 MOA äußeren Kreis mit 1x  
34,33 MOA äußeren Kreis mit 6x



## **BETRIEB DES LEUCHTABSEHEN**

Die Sightmark Triple Duty Zielfernrohr verfügt über ein beleuchtetes Absehen. Die Beleuchtung des Absehens verbessert die visuelle Unterscheidung zwischen Ziel und das Absehen in low / schlechten Lichtverhältnissen. Das Absehen kann in den folgenden Staaten eingesetzt werden: schwarz (aus), rot oder grün. Rote und grüne Beleuchtung besteht aus fünf Helligkeitsstufen. Zur Beleuchtung Absehen:

1. Drehen Sie den Absehenbeleuchtung Einstellung (8) befindet sich auf der linken Seite des Zielfernrohrs.
2. Drehen Sie das Stellrad auf die gewünschte Helligkeit, bis das Fadenkreuz hebt sich das Ziel.

Hinweis: Die Einstellungen 1-3 sind für den Einsatz bei schlechten Lichtverhältnissen bestimmt. Einstellungen 4 und 5 sind für den Einsatz in hellen Lichtverhältnissen bestimmt

## **BATTERIEWECHSEL**

Wenn das Fadenkreuz erscheint dunkel oder nicht leuchtet, muss der Akku ersetzt werden. Die Sightmark Triple Duty Zielfernrohre verwenden eine CR2032 zur Beleuchtung der Strichplatte. 3 Volt CR2032 Batterien können Einkäufe in Geschäften, in denen Batterien verkauft oder online erfolgen. Um die Batterie auszutauschen:

1. Entfernen Sie den Batteriedeckel auf der Absehenbeleuchtung Einstellung (8) mit einem flachen Schraubendreher entfernt. Drehen Sie die Kappe gegen den Uhrzeigersinn, bis es entfernt wird. Halten Sie die Beleuchtung Einstellung vorhanden, um ein Drehen zu verhindern.
2. Entfernen Sie die alte Batterie aus dem Batteriefach und legen Sie die neue Batterie mit dem Pluspol (+) Seite nach oben.
3. Setzen Sie die Batterieabdeckung auf der Absehenbeleuchtung Anpassung. Verwenden Sie einen flachen Schraubendreher und drehen Sie die Kappe im Uhrzeigersinn, bis es sicher befestigt ist. Es könnte notwendig sein, die Beleuchtung Anpassung in Position zu halten, um es gegen Verdrehen.
4. Prüfen, ob die Absehenbeleuchtung ist jetzt ordnungsgemäß.

## **WARNUNG**

Alle Sightmark Zielfernrohre sind mit Stickstoff gefüllt und an den Dichtungen versiegelt sofern nichts anderes erwähnt wird. Zerlegen Sie das Zielfernrohr auf keinen Fall in seine Einzelteile! Dies führt zum Verfall der Garantie und kann gefährlich sein. Etwaige Arbeiten im Inneren sollten nur vom Hersteller durchgeführt werden. Jede Verfälschung an der Entlüftungsschraube führt zum Verfall der Garantie.

## **PROBLEMLÖSUNGEN**

Schicken Sie niemals ein Zielfernrohr ohne vorherige Autorisierung zurück. Dies könnte zum Verlust des Zielfernrohres aufgrund verschiedener Möglichkeiten führen, z. B. dem Versand an die falsche Adresse oder anderen Problem in Verbindung mit nicht erwarteten Paketen.

1. Überprüfen Sie die Feuerwaffen montieren, dass es sicher befestigt ist. Auch ist zu überprüfen das Zielfernrohr sicher mit dem Gewehr befestigt. Wenn es eine Verschiebung, ziehen Sie die Montage gemäß der Montageanleitung aber nicht zu fest anziehen.
2. Als Test Abfeuern einer Waffe auf den Punkt des Aufpralls in Bezug auf Höhen-und Seitenverstellung Einstellung und Entlassung von einem Shooting Rest hilft elementare eine Verschiebung während des Brennens zu überprüfen.
3. Achten Sie darauf, werksseitig eingesetzten Munition des gleichen Typs Kugel, Gewicht und vorzugsweise Verwendung Losnummer wenn Sichtung in das Zielfernrohr

## **SIGHTMARK GARANTIEBESTIMMUNGEN**

Bitte besuchen Sie uns unter [www.sightmark.com](http://www.sightmark.com) für Garantiedetails und Informationen.