

S I G H T  M A R K[®]

USER MANUAL

RIFLESCOPES

Triple Duty & Tactical Series



English / Francais / Español / Deutsch

ABOUT SIGHTMARK®

Sightmark offers a wide range of products that include red dot scopes, reflex sights, rangefinders, riflescopes, laser sights, night vision and award-winning flashlights and boresights. Sightmark products are inspired by military and law enforcement applications. All products are designed to be the most effective weapon accessories possible.

Sightmark - MAKE YOUR MARK

S I G H T  M A R K®

www.sightmark.com

Sightmark Triple Duty & Tactical Riflescopes 1- 10

ENGLISH

Sightmark Le Devoir Triple et Riflescopes Tactique 11-20

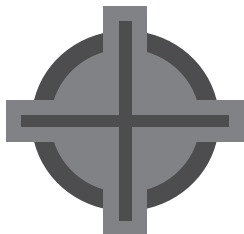
FRANCAIS

Miras Telescópicas Sightmark Triple Duty y Tácticas ... 21-30

ESPAÑOL

Sightmark Triple Duty und taktische Zielfernrohre 31-40

DEUTSCH



ENGLISH



ABOUT THE SIGHTMARK TRIPLE DUTY & TACTICAL SERIES OF RIFLESCOPES

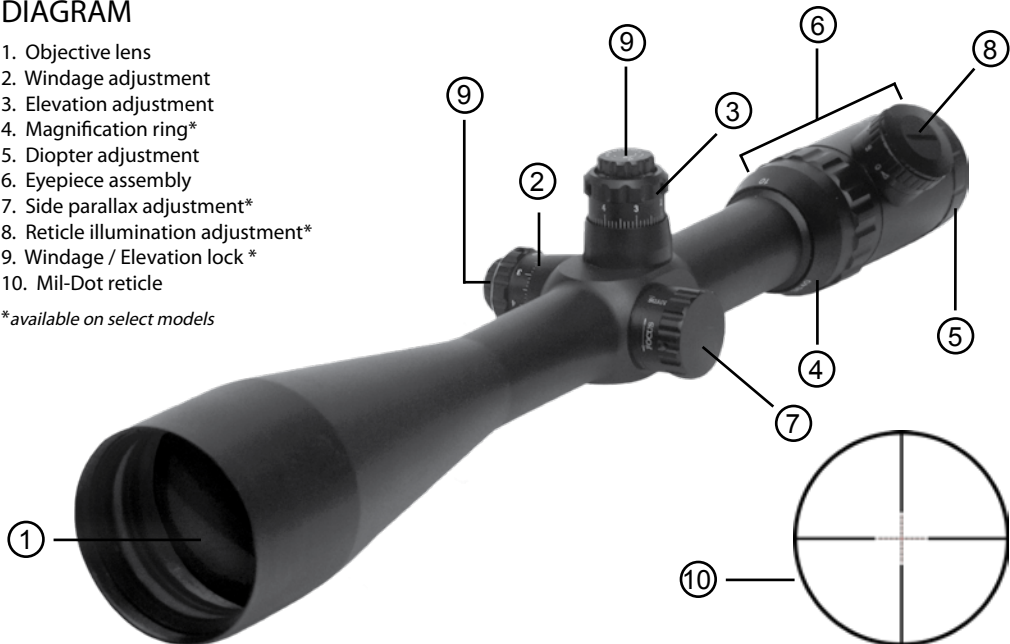
The Sightmark Triple Duty™ Series and Tactical Series of riflescopes use cutting edge glass and lens coatings to ensure that it is the most accurate riflescope in its class. Precision multicoated optics are a distinguishing feature of the Sightmark Triple Duty riflescope line; multicoated lenses offer a clear view for easy target acquisition in both bright and low light situations. Both waterproof and fog proof, the nitrogen filled Sightmark Triple Duty Series features oversized windage, elevation and parallax adjustment* knobs for easy adjustment in the field. Locking mechanisms* on the windage and elevation adjustments ensure that the scope stays zeroed. Internal lit* Mil-Dot reticles help shooters successfully make accurate shots over a wide range of distances and lighting conditions.

**available on select models*

DIAGRAM

1. Objective lens
2. Windage adjustment
3. Elevation adjustment
4. Magnification ring*
5. Diopter adjustment
6. Eyepiece assembly
7. Side parallax adjustment*
8. Reticle illumination adjustment*
9. Windage / Elevation lock *
10. Mil-Dot reticle

**available on select models*



SPECIFICATIONS

FEATURES:

- Precision accuracy
- Locking turrets*
- Mil-Dot reticle
- Wide field of view
- Precision multicoated optics
- Phase corrected coating
- Internal lit reticle*
- 1/8" locking MOA adjustments*
- Parallax adjustment*
- Front diopter adjustment
- Nitrogen purged
- Lightweight
- Waterproof
- Shockproof
- Fog proof

	4x32 Tactical	6x42 Triple Duty
Eyepiece diameter (mm)	32	34
Field of view (m @ 100m)	8.38	6.37
Exit pupil (mm)	8.1	7
Eye relief (mm)	99.3	92.7
Phase corrected, anti-reflective coating	AR Blue	Wide Band AR Green
Parallax (yards)	_____	_____
Waterproof / nitrogen filled (yes/no)	no	yes
Reticle	Mil-Dot	Mil-Dot
Illuminated reticle	no	yes
One piece tube diameter (mm)	25.4	30
Diopter (+/-)	2 to -3	2 to -3
Windage / Elevation (MOA)	15	60
MOA (one click, in)	1/4	1/4
Windage / Elevation lock (yes/no)	no	yes
Focal plane	2nd	2nd
Length (in)	7.8	12.9

*available on select models

1.5-5x30 Tactical	3-9x40 Tactical	3-9x42 Triple Duty	4-16x44 Triple Duty	8.5-25x50 Triple Duty	10-40x56 Triple Duty
36	37	39	39	37	39
26.69-7.86	13.99-4.64	13.99-4.64	9.61-2.44	4.89-1.66	3.84-0.98
18.8-6	13.3-4.4	14-4.67	11-2.75	5.8-2.0	5.6-1.4
123-86.3	115.5-91	115.5-91	120.1-88.4	98.6-88	97.5-85
Wide Band AR Green	Wide Band AR Green	Wide Band AR Green	Wide Band AR Green	Wide Band AR Green	Wide Band AR Green
_____	_____	_____	12 to infinity	10 to infinity	10 to infinity
yes	yes	yes	yes	yes	yes
Mil-Dot	Mil-Dot	Mil-Dot	Mil-Dot	Mil-Dot	Mil-Dot
no	no	yes	yes	yes	yes
30	30	30	30	30	30
2 to -3	2 to -3	2 to -3	2 to -3	2 to -3	2 to -3
60	60	60	60	60	60
1/4	1/4	1/4	1/4	1/8	1/8
no	no	yes	yes	yes	yes
1st	2nd	2nd	2nd	2nd	2nd
10.3	13.3	13.3	15.2	16.3	16.7

INSTALLATION

It is recommended to have the riflescope mounted by a professional gunsmith. However, if attempting to mount the riflescope without professional assistance, please read and strictly adhere to the following directions.

1. All riflescopes come with basic rings for immediate mounting.
2. Unload the weapon. Remove the bolt/firing pin to ensure the weapon is incapable of firing.
3. Install the lower portions of the rings onto a Weaver base. Tighten the screws to between 45 - 65 inch pounds of torque.
4. Place the riflescope in the rings and install the top portion of the rings loosely so that the riflescope can move freely.
5. Establish the correct eye relief by moving the weapon into the shooting position. While in the shooting position, move the riflescope so that very little black can be seen while looking through the riflescope.
6. Once eye relief is established, check the crosshair alignment by pointing the riflescope at an object that is level and align the crosshair.
7. Once the alignment is checked, tighten the rings evenly. Take care not to over tighten the screws as this could bend the scope. [base attachment screws & ring top screws - 15 inch/lbs; ring cross bolt nut - 68 inch/lbs]
8. Check alignment and position, then boresight the riflescope.

BORESIGHTING

Using a Sightmark laser boresight is the most accurate and convenient way to sight in a riflescope.

When mounting the riflescope on a bolt action rifle, remove the bolt. When mounting to a semi automatic rifle, disassemble the rifle until there is a straight line of sight through the bore, or use several mirrors for the same effect.

Now use a target at least 50 feet away when sighting in the riflescope. Look through the bore of the weapon and locate the target. Sight in the target through the bore and then adjust the riflescope. If the riflescope is significantly off target, take the rifle and riflescope to a certified gunsmith to check for correct mounting and alignment.

After boresighting the weapon it will need to be fine tuned to compensate for bullet drop and other variables. Please take the time to fine tune the weapon to ensure it is accurate.

RE-ZEROING WINDAGE AND ELEVATION KNOBS

Once the riflescope has been sighted in, it is time to reset the windage and elevation knobs back to zero. Please refer to the directions below based on the type of turrets on the riflescope.

Riflescopes with locking turrets:

Use a 1.5mm metric hex wrench to loosen the three set screws located along the scalloped edge of the elevation turret. Next, lock down the locking thumb screw on top of the knob. Then rotate the knob and set the MOA hash marks back to zero. Once the knob is zeroed, retighten the three set screws making sure not to over-torque and strip them. After all three set screws are sufficiently tightened, the mechanism will re-engage. Repeat these steps for the windage turret.

Riflescopes without locking turrets:

Use a 1.5mm metric hex wrench to loosen the three set screws located along the scalloped edge of the elevation knob. Next, rotate the knob to set the MOA hash marks back to zero. Once the knob is zeroed, re-tighten the three set screws making sure not to over-torque and strip them. After all three set screws are sufficiently tightened the mechanism will re-engage. Repeat these steps for the windage turret.

ZEROING PROBLEMS

Sightmark's Triple Duty scope line comes with locking turrets that do not need tools for adjustment. These locking turrets are designed to make adjustments on the fly. It is possible for a weapon's mounting system to not be level with the bore, which makes it nearly impossible to adjust zero. In this case, it is recommended that adjustable rings or a shim be used in order to raise the rear of the scope effectively, leveling it to the bore of the weapon to attain zero.

MAGNIFICATION

Some Sightmark riflescopes come equipped with variable magnification options. Simply turn the dial to the setting desired. Note: The higher the magnification, the smaller the field of view becomes.

PARALLAX ADJUSTMENT

Sightmark's higher magnification riflescopes do come equipped with a parallax adjustment knob. Parallax is the change of angular position of two stationary points relative to each other as seen by an observer. In other words, it's how the image lines up in the riflescope and how the eye perceives it. Be sure to adjust the parallax knob to the correct shooting range. It is very important to keep this in mind when zeroing the rifle. If this is not taken into consideration at the time of sighting in the riflescope, accuracy will diminish.

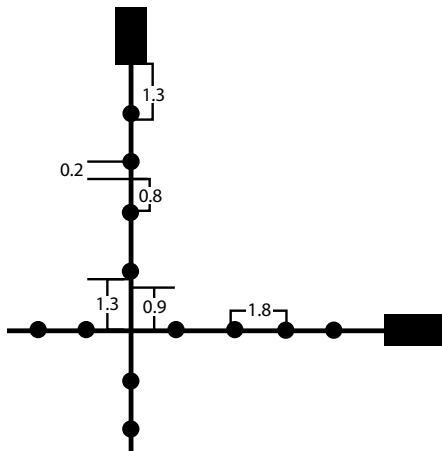
DIOPTER ADJUSTMENT

The diopter is the measurement of the eye's curvature. People's eyes are all curved differently. Sightmark riflescopes have a diopter adjustment that helps attain the perfect shot. Once parallax* has been adjusted, rotate

the diopter adjustment ring for the clearest view. This adjustment should stay the same unless the riflescope's operator changes.

**available on select models*

MIL-DOTS



All Sightmark riflescopes come with a Mil-Dot reticle.

Mil stands for millradian. A millradian is 1/6283.2th of a circle, or 3.438 MOA. The millradian represents 1 unit at 1000 yards. To simplify, a target that is one yard tall at 1000 yards would measure 1 millradian.

Sightmark's Mil-Dot reticle is the NATO standard Mil-Dot, which differs from the $\frac{3}{4}$ USMC reticle. In order to accurately range using the Mil-Dot system, the target size must be known. For example, a full size deer is approximately six feet long. Transfer the feet into yards ($3' = 1\text{yd}$), so the deer is 2 yards long. Now measure the deer in the crosshairs; it is 4 mils long. Then divide the size of the deer by the Mils. $2/4 = 0.5$ then multiply 0.5 by the constant of 1000. This equals 500. So the deer is roughly 500 yards away. Finally, adjust the riflescope's elevation for accuracy.

ILLUMINATED RETICLE

Some riflescope models are equipped with an illuminated reticle. When using the illuminated reticle, use the lowest brightness setting possible. This will make ranging targets much more effective.

CHANGING BATTERIES

1. Make sure the firearm is unloaded and pointed in a safe direction.
2. While holding the illuminated reticle battery housing, unscrew the top portion of the cap.
3. Remove the CRV2032 3volt battery and replace it while noting the polarity. Be sure the polarities of the battery match with the positioning displayed on the diagram located in the battery housing.
4. Replace the top portion of the cap.

MAINTENANCE

Proper maintenance of the riflescope is recommended to ensure longevity. It is recommended that when the riflescope becomes dirty that it is wiped down with a dry or slightly damp cloth. Blow dirt and debris off all optics and then clean lenses with a lens cleaning cloth. No further maintenance is required.

WARNING

All Sightmark riflescopes are nitrogen purged and o-ring sealed unless otherwise noted. Do NOT disassemble the riflescope for any reason as this will void the warranty and could be hazardous. Any internal work should be handled by the manufacturer. Any tampering with the purge screw will void the warranty.

TROUBLESHOOTING

Never ship back a riflescope without getting proper authorization beforehand. Doing so could result in losing the riflescope due to a multitude of reasons, i.e. sending it to the wrong address and other problems associated with unexpected packages.

1. Make sure the parallax, if equipped, was set at the correct range.
2. Check the mount. Make sure the riflescope is mounted securely to the rifle. Try, with bare hands only, to gently twist the scope in the rings or see if anything moves when it is jiggled. If there is any movement, retighten the mounting system according to the mounting instructions but do not over tighten as this could cause a misalignment of the internal optical parts.
3. Make sure the action of the firearm is properly bedded in the stock, and that all receiver screws are tight and have been tightened in the sequence recommended by the manufacturer. A loosely fitted stock can cause changes to the point of impact.
4. When test firing a rifle to check the point of impact relative to windage and elevation adjustments, be sure to fire from a solid bench with sandbags supporting the forearm and buttstock.
5. Be sure to use factory-loaded ammunition of the same bullet type, weight, and, preferably, lot number when sighting in the riflescope. If one type of ammunition does not shoot well, try another brand or bullet weight.
6. Be certain that both the barrel and chamber are clean. Heavy factory grease or copper fouling on older rifles can diminish the accuracy of the firearm.

SIGHTMARK WARRANTY

Please visit www.sightmark.com for warranty details and information.

FRANCAIS



DU SIGHTMARK LE DEVOIR TRIPLE ET LA SÉRIE TACTIQUE de RIFLESCOPES

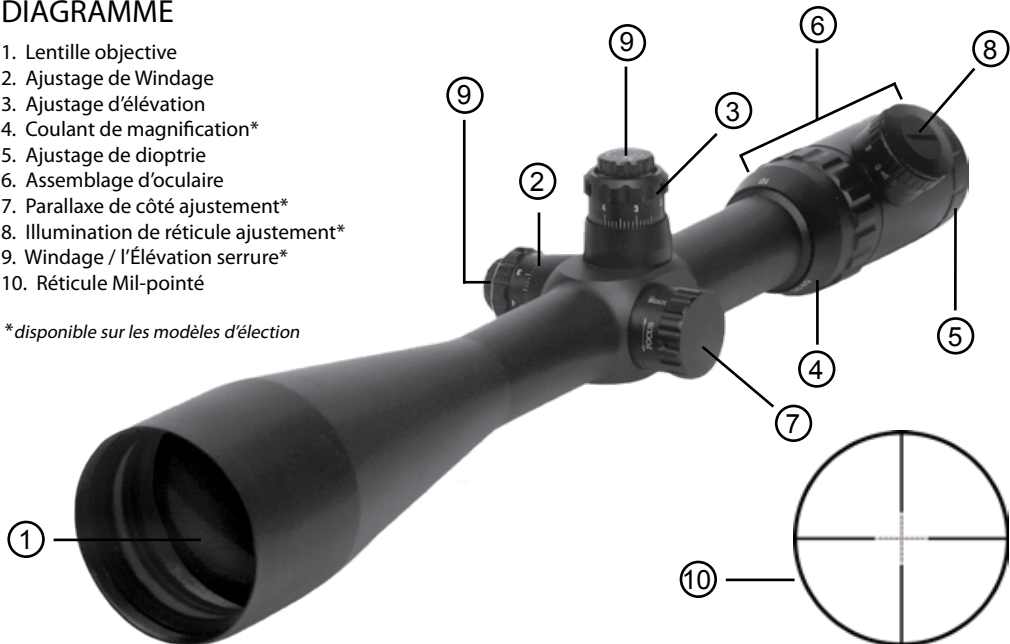
La Sightmark Triple Duty™ Series et la Tactical Series de riflescopes utilisent le verre d'avant-garde et les couches de lentille pour garantir que c'est riflescope le plus exact dans sa classe. L'optique multienduite de précision est une caractéristique de distinction du Sightmark Triple Duty, la ligne du riflescope; les lentilles multi enduites offrent une vue claire pour l'acquisition prévue facile dans les situations tant claires brillantes que basses. Tant imperméable que la preuve de brouillard, l'azote a rempli Sightmark la Triple Duty Series présente windage énorme, l'élévation et la parallaxe ajustages * les boutons pour l'ajustage facile dans le champ. La fermeture des mechanisms* sur le windage et les ajustages d'élévation garantit que la possibilité reste zeroed. Les réticules Mil-pointés lit* intérieurs aident des tireurs à faire avec succès des coups exacts sur une large gamme de distances et dans les conditions d'éclairage différentes.

**disponible sur les modèles d'élection*

DIAGRAMME

1. Lentille objective
2. Ajustage de Windage
3. Ajustage d'élévation
4. Coulant de magnification*
5. Ajustage de dioptrie
6. Assemblage d'oculaire
7. Parallaxe de côté ajustement*
8. Illumination de réticule ajustement*
9. Windage / l'Élévation serrure*
10. Réticule Mil-pointé

**disponible sur les modèles d'élection*



SPÉCIFICATIONS

CARACTÉRISTIQUES:

- Exactitude de précision
- Fermeture turrets*
- Réticule Mil-pointé
- Large champ de vue
- La précision a multi enduit l'optique
- Phase couche corrigée
- Intérieur a allumé reticle*
- 1/8" fermant MOA ajustements*
- Parallaxe ajustement*
- Ajustage de dioptrie de devant
- Azote purgé
- Poids léger
- Imperméable
- Protégé contre les chocs
- Preuve de brouillard

*disponible sur les modèles d'élection

	4x32 Tactique	6x42 Triple Duty
Diamètre d'oculaire (mm)	32	34
Le champ de vue (m @ 100m)	8.38	6.37
Élève de sortie (mm)	8.1	7
Relief d'oeil (mm)	99.3	92.7
Phase couche corrigée	AR Bleu	Large Bande AR Vert
Parallaxe (yards)	_____	_____
Imperméable / l'azote s'est rempli (oui/non)	non	oui
Réticule	Mil-Dot	Mil-Dot
Réticule lumineux (oui/non)	non	oui
Un diamètre de tube (mm)	25.4	30
Dioptrie (+/-)	2 to -3	2 to -3
Windage / l'Élévation (MOA)	15	60
MOA (un claquement, in)	1/4	1/4
Windage / la serrure d'Élévation (oui/non)	non	oui
Avion focal	2nd	2nd
Longueur (mm)	198.12	327.66

1.5-5x30 Tactique	3-9x40 Tactique	3-9x42 Triple Duty	4-16x44 Triple Duty	8.5-25x50 Triple Duty	10-40x56 Triple Duty
36	37	39	39	37	39
26.69-7.86	13.99-4.64	13.99-4.64	9.61-2.44	4.89-1.66	3.84-0.98
18.8-6	13.3-4.4	14-4.67	11-2.75	5.8-2.0	5.6-1.4
123-86.3	115.5-91	115.5-91	120.1-88.4	98.6-88	97.5-85
Large Bande AR Vert	Large Bande AR Vert	Large Bande AR Vert	Large Bande AR Vert	Large Bande AR Vert	Large Bande AR Vert
_____	_____	_____	12 à l'infinité	10 à l'infinité	10 à l'infinité
oui	oui	oui	oui	oui	oui
Mil-Dot	Mil-Dot	Mil-Dot	Mil-Dot	Mil-Dot	Mil-Dot
non	non	oui	oui	oui	oui
30	30	30	30	30	30
2 to -3	2 to -3	2 to -3	2 to -3	2 to -3	2 to -3
60	60	60	60	60	60
1/4	1/4	1/4	1/4	1/8	1/8
non	non	oui	oui	oui	oui
1st	2nd	2nd	2nd	2nd	2nd
261.62	337.82	337.82	386.08	414.02	424.18

INSTALLATION

Il est recommandé de faire monter le riflescope par un armurier professionnel. Pourtant, en essayant de monter le riflescope sans assistance professionnelle, lisez s'il vous plaît et adhérez sévèrement aux directions suivantes.

1. Tous riflescopes viennent avec les anneaux fondamentaux pour le fait de monter immédiat.
2. Décharger l'arme. Enlevez l'épingle verrouille/tirant pour garantir que l'arme est incapable du tir.
3. Installer les portions plus basses des anneaux sur une base de Tisserand. Serrez les vis à entre 45 - les livres de 65 pouces de moment de torsion.
4. Placer le riflescope dans les anneaux et installer la portion supérieure des anneaux sans serrer pour que le riflescope puisse bouger librement.
5. Établir le relief d'oeil correct en déplaçant l'arme dans la position tirant. Pendant que dans la position tirant, déplacez le riflescope pour que très petit noir puisse être vu en feuilletant le riflescope.
6. Dès que le relief d'oeil est établi, vérifier l'alignement réticule en montrant le riflescope à un objet qui est le niveau et mettre en ligne le réticule.
7. Dès que l'alignement est vérifié, serrer les anneaux uniformément. Faites attention pas à serrent les vis comme cela pourrait tourner la possibilité. [vis de base de connexion et vis supérieures de boucle - 15 pouce/livres; écrou de boulon en travers de boucle - 68 pouce/livres]
8. Vérifier l'alignement et la position, alors boresight le riflescope.

BORESIGHTING

En utilisant un laser Sightmark boresight est la voie la plus exacte et convenable à la vue dans un riflescope.

En montant le riflescope sur un fusil d'action de verrou, enlevez le verrou. En montant à un fusil automatique semi-, désassemblez le fusil jusqu'à ce qu'il y ait une ligne de visée droite par l'ennui, ou utiliser plusieurs miroirs du même effet.

Utilisez maintenant une cible d'au moins 50 pieds de distance en apercevant dans le riflescope. Feuillotez l'ennui de l'arme et trouvez la cible. La vue dans la cible par l'ennui et règle ensuite le riflescope. Si le riflescope est de façon significative de la cible, prendre le fusil et riflescope à un armurier diplômé pour vérifier pour le fait de monter correct et l'alignement.

Après boresighting l'arme il aura besoin d'être parfait accordé pour compenser pour la goutte de balle et d'autres variables. Prenez s'il vous plaît le temps à l'air parfait l'arme pour garantir que c'est exact.

RE-ZEROING WINDAGE ET LES BOUTONS D'ELEVATION

Une fois le riflescope a été aperçu dans, c'est le temps pour remettre à l'état initial les boutons de windage et élévation soutiennent à zéro. S'il vous plaît se référer aux directions au dessous de fondé sur le type de tourelles sur le riflescope.

Riflescopes avec verrouiller de tourelles:

Utiliser un 1.5mm clé plate de sort métrique pour desserrer les trois vis fixes localisées le long du bord festonné de la tourelle d'élévation. Prochain, verrouiller en bas la vis verrouillant de pouce sur le bouton. Alors tourner le bouton et avoir réglé les marques de hachis de MOA soutient à zéro. Une fois le bouton est zeroed, resserre les trois vis fixes n'assurent pas au sur moment de torsion et les dépouillent. Après que tous les trois vis fixes sont suffisamment resserrées, le re-engage de volonté de mécanisme. Répéter ces étapes pour la tourelle de windage.

Riflescopes sans verrouiller de tourelles:

Utiliser un 1.5mm clé plate de sort métrique pour desserrer les trois vis fixes localisées le long du bord festonné du bouton d'élévation. Prochain, tourner le bouton pour régler les marques de hachis de MOA de retour à zéro. Une fois le bouton est zeroed, resserre les trois vis fixes n'assurent pas au sur-moment de torsion et les dépouillent.

Après que tous les trois vis fixes sont suffisamment resserrées le re-engage de volonté de mécanisme. Répéter ces étapes pour la tourelle de windage.

PROBLEMES DE ZEROING

Sightmark de la ligne d'étendue de Devoir Triple est fourni avec verrouiller les tourelles qui n'ont pas besoin des outils pour l'ajustement. Ces tourelles verrouillant sont conçues pour faire des ajustements immédiatement. C'est possible pour un système montant de l'arme pour ne pas être à fleur du raseur, qui il fait presque impossible d'ajuster zéro. Dans ce cas, il est recommandé que les sonneries ajustables ou une cale de support ait utilisé pour élever l'arrière de l'étendue, le nivelant efficacement au raseur de l'arme pour atteindre zéro.

MAGNIFICATON

Quelque Sightmark riflescopes est venu équipé avec les options de grossissement variables. Simplement tourner le cadran au cadre désiré. Note : Le plus haut le grossissement, le plus petit le champ de vue devient.

AJUSTEMENT DE PARALLAXE

Sightmark le plus haut riflescopes de grossissement vient équipé avec un bouton d'ajustement de parallaxe. La parallaxe est le changement de position angulaire de deux points à l'arrêt relatifs à chaque autre comme vu par un observateur. En d'autres termes, c'est comment l'image aligne dans le riflescope et comment l'oeil le perçoit. Etre sûr d'ajuster le bouton de parallaxe à la gamme de fusillade correcte. C'est très important de garder ceci présent à l'esprit quand zeroing le fusil. Si ceci n'est pas pris dans la considération lors d'apercevoir dans le riflescope, la précision diminuera.

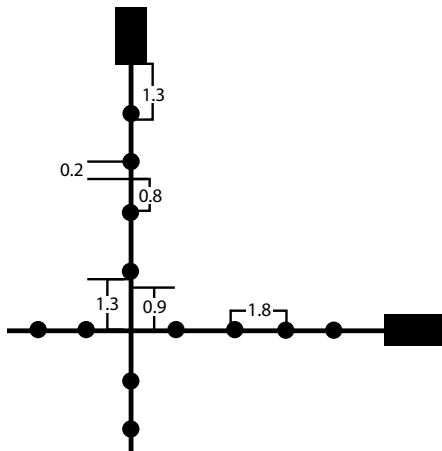
L'AJUSTEMENT DE DIOPTRIE

La dioptrie est la mesure de la courbure de l'oeil. Les yeux des gens tout sont différemment courbé. Sightmark riflescopes a un ajustement de dioptrie que les aides atteignent le coup parfait. Une fois la parallaxe* a été ajusté,

tourne l'anneau d'ajustement de dioptrie pour la vue la plus claire. Cet ajustement devrait rester le même à moins que l'opérateur de rifle change.

**disponible sur les modèles d'élection*

MIL-MARQUE AVEC DES POINTS



Tout Sightmark riflescopes est fourni avec un reticle de Mil-Point.

Mil représente mille radians. Un mille radians est $1/6283.2$ th d'un cercle, ou 3,438 MOA. Le mille radian représente 1 unité à 1000 yards. Pour simplifier, une cible qui est un yard grand à 1000 yards mesurerait 1 mille radians.

Reticle de Mil-Point de Sightmark est l'OTAN Mil-Point standard, qui diffère du $\frac{3}{4}$ USMC reticle. Dans l'ordre précisément pour étendre l'utilisation du système de Mil-Point, la taille de cible doit être sue. Par exemple, un cerf de taille plein est approximativement six pieds longs. Transférer les pieds dans les yards ($3 \text{ } \gg = 1\text{yd}$), si le cerf est 2 yards longs. Maintenant mesurer le cerf dans les réticules ; c'est 4 mils long. Alors diviser la taille du cerf par le Mils. $2/4=0.5$ multiplie alors 0,5 par la

constante de 1000. Ceci égale 500. Donc le cerf est à peu près 500yds loin. Enfin, ajuster l'élévation de riflescope pour la précision.

RETICLE ILLUMINE

Quelques modèles de riflescope sont équipés avec un reticle illuminé. En utilisant le reticle illuminé, utiliser l'éclat le plus bas réglant possible. Ceci fera étendre des cibles beaucoup plus efficace.

CHANGEANT DES BATTERIES

1. Assurer que l'arme à feu est déchargée et pointu dans une direction sûre.
2. Pendant que tenir le logement de pile de reticle illuminé, dévisser la première portion du bouchon.
3. Enlever le CRV2032 3 pile de volts et le remplace pendant que noter la polarité. Etre sûr les polarités du match de pile avec la position affichée sur le diagramme localisé dans le logement de pile.
4. Remplacer la première portion du bouchon.

L'ENTRETIEN

L'entretien Correct du riflescope est recommandé pour garantir la longévité. Il est recommandé que quand le riflescope devienne sale qu'il est essuyé avec un sec ou étouffe légèrement du tissu. Souffler de la terre et du débris de tout optique et nettoie alors des lentilles avec un chiffon de lentille. Aucun plus ample entretien n'est exigé.

L'AVERTISSEMENT

Ne PAS démonter le riflescope pour la raison comme ceci annulera la garantie et pourrait être hasardeux. Le travail interne devrait être contrôlé par le fabricant. N'importe quel altérer la vis de purge annulera la garantie.

LE DEPANNAGE

Jamais bateau soutient un riflescope sans obtenir l'autorisation correcte d'avance. Faire pourrait avoir pour résultat perdant si le riflescope en raison d'une multitude de raisons, c.-à-d. l'envoyant à la mauvaise adresse ou aux autres problèmes associés avec les paquets imprévus.

1. Assurer la parallaxe, si équipé, a été réglé à la gamme correcte.
2. Vérifier le mont. Assurer que le riflescope est assurément monté au fusil. Essayer, avec les mains nues seulement, doucement tordre l'étendue dans les sonneries ou voit si n'importe quoi se déplace quand il est vibré. S'il y a n'importe quel mouvement, resserrer le système montant selon les instructions montant mais faire ne serre pas trop comme ceci pourrait causer une déviation des parties optiques internes.
3. Assurer que l'action de l'arme à feu est convenablement couché dans le stock, et que toutes vis de récepteur sont tendues et a été resserré dans la séquence recommandée par le fabricant. Un lâchement ajusté stocke peut causer des changements au point d'impact.
4. Quand le test vidant un fusil pour vérifier le point d'impact relatif aux ajustements de windage et élévation, être sûr de vider d'un banc solide avec les sacs de sable soutenant l'avant-bras et buttstock.
5. Etre sûr d'utiliser des munitions usine chargée du même type de balle, le poids, et, préférablement, le nombre de lot en apercevant dans le riflescope. Si un type de munitions ne tire pas bien, essayer un autre poids de marque ou balle.
6. Etre certain que le baril et la chambre sont propres. La graisse lourd d'usine ou le cuivre pollue sur les plus vieux fusils peut diminuer la précision de l'arme à feu.

GARANTIE DE SIGHTMARK

Visitez s'il vous plaît www.sightmark.com pour des détails et l'information de garantie.

ESPAÑOL



EN CUANTO A LAS MIRAS TELESCÓPICAS SIGHTMARK, SERIES TRIPLE DUTY Y TÁCTICAS

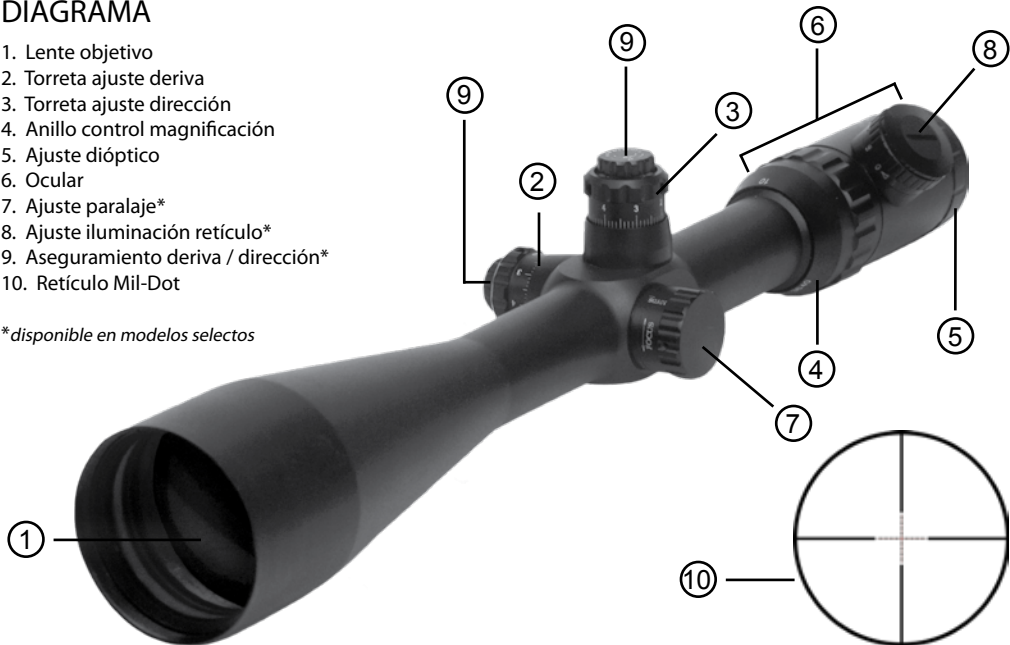
Las miras telescópicas Sightmark, series Triple Duty™ y Táctica, usan tecnologías de punta en la fabricación de lentes y revestimientos con el fin de garantizar que son las miras más precisas en su clase. Ópticas con revestimientos múltiples de alta precisión son una de las características primordiales en la serie Triple Duty; lentes con revestimientos múltiples ofrecen máxima claridad para adquisición máxima de objetivos en condiciones de alta y baja luminosidad. La serie Triple Duty incorpora características técnicas tales como resistencia al agua y humedad, purgado en nitrógeno, torretas de alto relieve para ajustes en elevación, deriva y paralaje para fácil manipulación en el campo. De igual manera cuenta con mecanismos de aseguramiento en las torretas de elevación y deriva que garantizan que la mira se mantenga colimada permanentemente. Retículo Mil-Dot iluminado* ayudan a que el tirador haga tiros de alto rendimiento a diferentes distancias y condiciones de luminosidad.

**disponible en modelos selectos*

DIAGRAMA

1. Lente objetivo
2. Torreta ajuste deriva
3. Torreta ajuste dirección
4. Anillo control magnificación
5. Ajuste dióptico
6. Ocular
7. Ajuste paralaje*
8. Ajuste iluminación retículo*
9. Aseguramiento deriva / dirección*
10. Retículo Mil-Dot

**disponible en modelos selectos*



ESPECIFICACIONES

CARACTERÍSTICAS:

- Precisión y exactitud
- Perillas con sistema de aseguramiento*
- Retículo Mil-Dot
- Amplio campo de visión
- Ópticas multi-revezadas de alta precisión
- Corrección de fases
- Retículo iluminado*
- Ajustes de 1/8" MOA*
- Ajuste de paralaje*
- Ajuste dióptico frontal
- Purgado en nitrógeno
- Liviano
- Resistente al agua
- Resistente a impactos
- Resistente a humedad

*disponible en modelos selectos

	4x32 Táctica	6x42 Triple Duty
Diámetro ocular (mm)	32	34
Campo de visión (m @ 100m)	8.38	6.37
Salida de pupila (mm)	8.1	7
Relieve ocular (mm)	99.3	92.7
Corrección de fases, capa anti-reflectiva	AR Azul	Banda Ancha AR Verde
Paralaje (yards)	—————	—————
Resistencia al agua / Purga nitrógeno (sí/no)	no	sí
Retículo	Mil-Dot	Mil-Dot
Retículo iluminado (sí/no)	no	sí
Diámetro tubo una pieza (mm)	25.4	30
Dióptico (+/-)	2 to -3	2 to -3
Dirección / Deriva (MOA)	15	60
MOA (un clic, in)	1/4	1/4
Dirección / Deriva aseguramiento (sí/no)	no	sí
Plano focal	2nd	2nd
Largo (mm)	198.12	327.66

1.5-5x30 Táctica	3-9x40 Táctica	3-9x42 Triple Duty	4-16x44 Triple Duty	8.5-25x50 Triple Duty	10-40x56 Triple Duty
36	37	39	39	37	39
26.69-7.86	13.99-4.64	13.99-4.64	9.61-2.44	4.89-1.66	3.84-0.98
18.8-6	13.3-4.4	14-4.67	11-2.75	5.8-2.0	5.6-1.4
123-86.3	115.5-91	115.5-91	120.1-88.4	98.6-88	97.5-85
Banda Ancha AR Verde	Banda Ancha AR Verde	Banda Ancha AR Verde	Banda Ancha AR Verde	Banda Ancha AR Verde	Banda Ancha AR Verde
—————	—————	—————	12 a la infinidad	10 a la infinidad	10 a la infinidad
sí	sí	sí	sí	sí	sí
Mil-Dot	Mil-Dot	Mil-Dot	Mil-Dot	Mil-Dot	Mil-Dot
no	no	sí	sí	sí	sí
30	30	30	30	30	30
2 to -3	2 to -3	2 to -3	2 to -3	2 to -3	2 to -3
60	60	60	60	60	60
1/4	1/4	1/4	1/4	1/8	1/8
no	no	sí	sí	sí	sí
1st	2nd	2nd	2nd	2nd	2nd
261.62	337.82	337.82	386.08	414.02	424.18

INSTALACIÓN

Se recomienda que la mira telescópica sea instalada por un armero profesional. Sin embargo, si desea instalar la mira sin asistencia profesional por favor lea y siga las siguientes instrucciones y direcciones.

1. Las miras telescópicas cuentan con anillos básicos incluidos para rápido montaje.
2. Descargue el arma. Remueva el cerrojo/aguja percutora para inutilizar el arma.
3. Instale la parte inferior de los anillos en la base Weaver. Ajuste los tornillos ejerciendo una fuerza de 45-60 libras por pulgada.
4. Coloque la mira telescópica en los anillos e instale la parte superior de los anillos sin apretar los tornillos de manera que la mira se pueda mover fácilmente.
5. Establezca el relieve ocular correcto al colocar el arma en posición de disparo. Mueva la mira telescópica hacia adelante o hacia atrás de manera que no se observe color negro a través del ocular.
6. Una vez haya establecido el relieve ocular, verifique la alineación del retículo apuntando el arma a un objeto que este nivelado horizontalmente y haga las correcciones necesarias.
7. Una vez la alineación del retículo este verificada, apriete los tornillos balanceadamente. Asegúrese de no sobre apretar los tornillos ya que esto puede sumir la miras telescópica. [tornillos base accesorios y tornillos anillo superior - 15 pulgada/libras; tuerca anillo transversal - 68 pulgada/libras]
8. Revise alineación y posición, posteriormente proceda a colimar la mira telescópica.

COLIMACIÓN

La forma más fácil de colimar la mira telescópica es por medio del uso de un colimador laser Sightmark.

Cuando la mira telescópica sea instalada en un rifle con acción de cerrojo, remueva el cerrojo completamente. Cuando la mira telescópica este montada en rifle semiautomático, desarme el rifle completamente con el fin de que exista una línea directa de visión a través del cañón. Si esto no es posible, utilice varios espejos para lograr el mismo resultado.

Localice un objetivo a una distancia de por lo menos 50 pies en el momento de hacer la colimación. Mire a través del cañón del arma y localice el objetivo y posteriormente proceda a ajustar la mira telescópica. Si por algún motivo la mira telescópica esta demasiado desalineada con el objetivo, lleve el arma a un armero certificado con el fin de revisar la instalación y alineación de la mira.

Una vez la mira ha sido colimada, es necesario hacer ajustes con munición real para compensar por caída de la bala y otras variables. Por favor tenga en cuenta la importancia de este último paso con el fin de asegurar máxima precisión.

REAJUSTE PERILLAS DE ELEVACIÓN Y DERIVA

Una vez la mira telescópica ha sido calibrada adecuadamente, es necesario reajustar las perillas de elevación y deriva a la posición cero. Por favor refiérase a las siguientes direcciones teniendo en cuenta el tipo de perillas y torretas de su mira telescópica.

Miras telescópicas con torretas con sistema de aseguramiento:

Use una llave métrica de 1.5mm para aflojar los 3 tornillos de anclaje localizados alrededor de la torreta de elevación. Proceda a asegurar el tornillo ubicado en la parte superior de la torreta y posteriormente rote la perilla hasta que las marcas de referencia MOA se encuentren nuevamente en cero. Una vez la torreta se ha reajustado, apriete los 3 tornillos de anclaje asegurándose de no sobre apretar ya que esto puede dañar la rosca. El mecanismo se reajustara una vez los 3 tornillos de anclaje estén suficientemente apretados. Repita este mismo paso para la torreta de deriva.

Miras telescópicas con torretas sin sistema de aseguramiento:

Use una llave métrica de 1.5mm para aflojar los 3 tornillos de anclaje localizados alrededor de la torreta de elevación.

Proceda a rotar la perilla hasta que las marcas de referencia MOA se encuentren nuevamente en cero. El mecanismo se reajustara una vez los 3 tornillos de anclaje estén suficientemente apretados. Repita este mismo paso para la torreta de deriva.

PROBLEMAS CON LA COLIMACIÓN

La serie de miras telescópicas Sightmark Triple Duty tienen torretas de alto relieve que poseen un sistema de aseguramiento incorporado el cual no necesita herramientas adicionales para ajustarlo. Estas torretas están diseñadas para hacer ajustes sin mayor inconveniente. Es posible que el sistema de montaje del arma no esté nivelado completamente, lo cual hace que una colimación perfecta sea imposible. En este caso es recomendado usar anillos ajustables con el fin de elevar la parte trasera de la mira telescópica de una manera efectiva para que de esta manera este alineada correctamente con el cañón del arma y así lograr una colimación perfecta.

MAGNIFICACIÓN

Algunas miras telescópicas Sightmark vienen equipadas con sistemas de magnificación variable. Para operar este sistema, simplemente rote la perilla a la magnificación deseada. Tenga en cuenta que al aumentar la magnificación, el campo de visión disminuirá.

AJUSTE DE PARALAJE

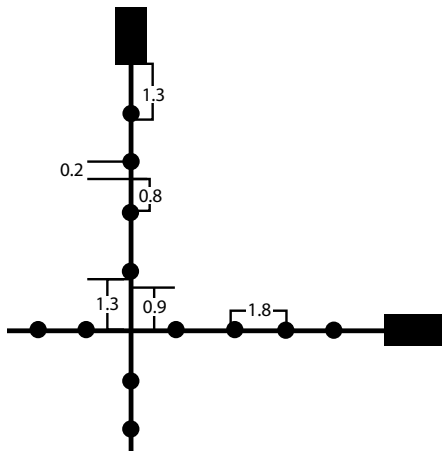
Las miras telescópicas Sightmark de alta magnificación vienen equipadas con un sistema para ajuste de paralaje. Paralaje es el cambio de posición angular de dos puntos estacionarios relativo a cada uno visto por un observador. En otras palabras, es como la imagen se alinea en la mira telescópica y como el ojo la percibe. Asegúrese de ajustar la perilla de paralaje al rango estimado de tiro. Es importante que este punto sea tenido en consideración al momento de colimación del arma ya que esto puede ser un factor determinante en la precisión.

AJUSTE DIÓPTICO

El dióptico es la medida de la curvatura del ojo, la cual es diferente en todas las personas. Las miras telescópicas Sightmark cuentan con ajuste dióptico para ayudar al usuario obtener el tiro perfecto. Una vez el paralaje haya sido ajustado, rote la perilla del ajuste dióptrico hasta que obtenga una imagen clara. Este ajuste solo será modificado si el operador o usuario es una persona diferente.

**disponible en modelos selectos*

MIL-DOTS



Todas las miras Sightmark cuentan con un retículo Mil-Dot.

Mil significa miliradianes. Un miliradiante es $1/6283$ de un círculo, o 3.438 MOA. El miliradiante representa 1 unidad a 100 yardas. Simplificando, un objetivo que tiene una altura de una yarda at 1000 yardas mediría 1 miliradiante.

Las miras Sightmark cuentan con un retículo Mil-Dot versión estándar NATO, el cual es diferente al retículo $3/4$ USMC. De manera de poder usar el retículo efectivamente, es necesario conocer la altura del objetivo. Por ejemplo, un venado es aproximadamente 6 pies de largo que al convertir 6 pies en yardas es 2 yardas de largo (3 pies = 1 yarda). Ahora, al medir el venado en por medio del retículo el resultado es 4 miliradianes de largo. Ahora se debe dividir el tamaño del venado por el numero de

miliradianes. $2/4=0.5$. Este resultado se debe multiplicar por la constante de 1000, lo cual equivale a 500. En este caso el venado esta ubicado a una distancia aproximada de 500 yardas. Finalmente ajuste la perilla de elevación para compensar por caída de la bala a distancia.

RETÍCULO ILUMINADO

Algunas miras telescópicas están equipadas con retículos iluminados. Recomendamos que cuando esta estimando distancias por medio del retículo, use la intensidad mas baja ya que esto ayudara a que la estimación de distancia sea mas efectiva.

CAMBIO DE BATERÍAS

1. Asegúrese que el arma este descargada y apuntando en una dirección segura.
2. Remueva la tapa del compartimento de la batería ubicada en la parte superior del control de luminosidad del retículo.
3. Proceda a reemplazar la batería CRV2032 de 3 voltios teniendo en cuenta la polaridad de la batería. Refiérase al diagrama ubicado en el compartimento de la batería.
4. Coloque la tapa nuevamente y asegúrela suavemente.

MANTENIMIENTO

Un mantenimiento adecuado es recomendado para garantizar máxima durabilidad. Es recomendado limpiar la mira telescópica con un paño especial ligeramente húmedo. Antes de limpiar los lentes con un paño especial para lentes, proceda a soplar fuertemente con el fin de remover partículas de tierra o polvo que puedan rayar los lentes.

PRECAUCIÓN

Todas las miras telescópicas Sightmark tienen un relleno en nitrógeno y un empaque tipo O-anillo. Por ningún motivo

desarme o trata de manipular la válvula del nitrógeno ya que corre riesgo de ser lastimado y automáticamente pierde la garantía. Cualquier trabajo de reparación interno debe ser manejado únicamente por la fabrica.

LOCALIZACIÓN DE PROBLEMAS

Absténgase de regresar la mira telescópica a la fabrica sin un autorización previa ya que puede perder el articulo por razones como dirección equivocada o no estar identificado apropiadamente.

1. Asegúrese que el paralaje este graduado al rango adecuado.
2. Revise la montura. Asegúrese que la mira telescópica este montada firmemente en el rifle. Trate suavemente de mover la mira revisando que no haya ningún tipo de juego o movimiento. Si existe algún movimiento, apreté los tornillos del sistema de montaje nuevamente de acuerdo a las instrucciones presentadas previamente. Tenga en cuenta no sobre apretar ya que esto puede averiar los mecanismos internos y el sistema de montaje.
3. Cerciórese que los mecanismos del arma estén ajustados completamente ya que esto puede causar cambios en el punto de impacto.
4. Cuando este calibrando el arma, revise el punto de impacto relativo a los ajustes de elevación y deriva, asegurándose que se esta usando un soporte solido y estable.
5. Asegúrese de usar munición de una marca reconocida y en lo posible, usar el mismo tipo de bala, peso y lote. Si algún tipo de munición no funciona adecuadamente, use otra marca u otra bala de diferente peso.
6. Asegúrese que la recamara y el cañón estén completamente limpios ya que esto puede interferir con la precisión del arma.

GARANTÍA SIGHTMARK

Por favor visite www.sightmark.com para mas detalles e información en cuanto a la garantía.

DEUTSCH



ÜBER DIE BAUREIHEN DER TRIPLE DUTY UND TAKTISCHEN ZIELFERNROHRE VON SIGHTMARK

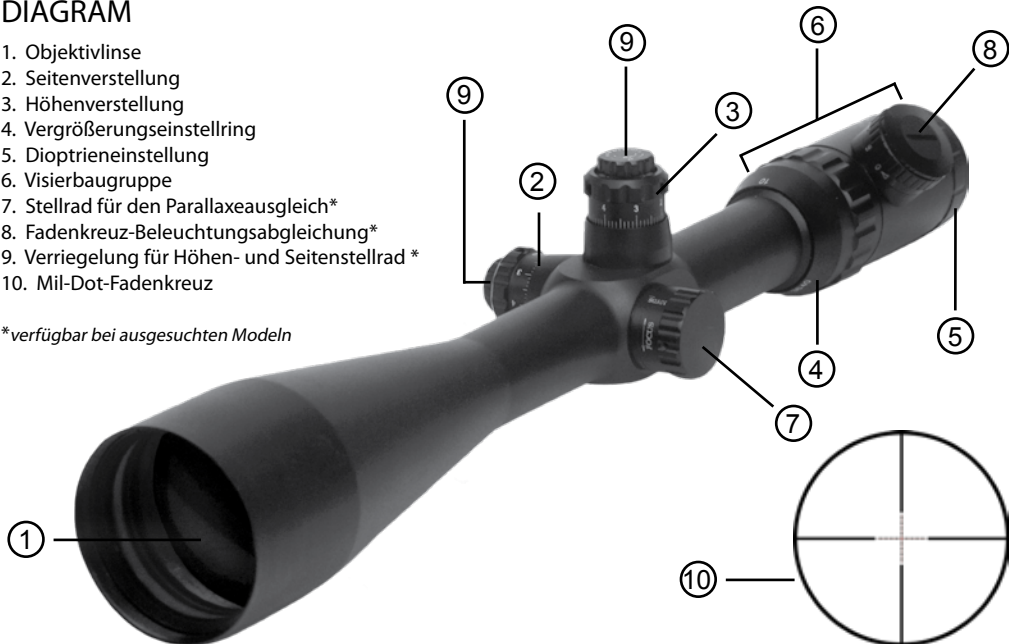
Die Baureihen der Sightmark „Triple Duty™“ und der taktischen Zielfernrohre nutzen topmoderne Glass- und Linsenbeschichtungen um zu garantieren, dass sie die Zielgenauesten ihrer Klasse sind. Präzise, mehrfach beschichtete Linsen sind ein charakteristisches Merkmal der Sightmark „Triple Duty“-Zielfernrohr Serie. Mehrfach beschichtete Linsen bieten eine klare Sicht für einfaches Anvisieren unabhängig von den Lichtverhältnissen. Beide Serien sind Wasser- und Nebeldicht, die mit Stickstoff gefüllte Sightmark „Triple Duty“ Serie hat zudem übergroße Stellräder für den Parallaxeausgleich sowie für die Höhen- und Seitenverstellung für einfaches nachjustieren zwischen zwei Schüssen. Verriegelungsmechanismen* garantieren ein Gleich bleiben der Einstellungen. Ein eingebautes, beleuchtetes* Mil-Dot-Visier verhilft dem Schützen zu punktgenauen Treffern auch über große Distanzen und in unterschiedlichen Lichtverhältnissen.

**verfügbar bei ausgesuchten Modellen*

DIAGRAM

1. Objektivlinse
2. Seitenverstellung
3. Höhenverstellung
4. Vergrößerungseinstellung
5. Dioptrieneinstellung
6. Visierbaugruppe
7. Stellrad für den Parallaxenausgleich*
8. Fadenkreuz-Beleuchtungsabgleich*
9. Verriegelung für Höhen- und Seitenstellrad *
10. Mil-Dot-Fadenkreuz

**verfügbar bei ausgesuchten Modellen*



ANGABEN

BESONDERHEITEN:

- Zielgenauigkeit
- Feststellbare Stellräder*
- Mil-Dot Fadenkreuz
- Weites Sichtfeld
- Präzise, mehrfach beschichtete Linsen
- Phasen-Korrigierte
- Integrierte Fadenkreuzbeleuchtung*
- Feststellbar auf 1/8" MOA (Winkelminute)*
- Parallaxeausgleich*
- Einstellbares Objektiv
- Stickstoff gereinigt
- Leichtbauweiße
- Wasserfest
- Stoßfest
- Nebelfest

*verfügbar bei ausgesuchten Modellen

	4x32 Taktische	6x42 Triple Duty
Visierdurchmesser (mm)	32	34
Sichtfeld (m auf 100m)	8.38	6.37
Austrittspupille (mm)	8.1	7
Augenabstand (mm)	99.3	92.7
Phasen-Korrigierte, Anti-Reflexionsbeschichtung	AR Blau	Breitband AR Grün
Parallaxe (yard)	—————	—————
Wasserdicht/Stickstoff gefüllt (ja/nein)	nein	ja
Fadenkreuz	Mil-Dot	Mil-Dot
Beleuchtetes Fadenkreuz (ja/nein)	nein	ja
Gewindedurchmesser (mm)	25.4	30
Diopter (+/-)	2 to -3	2 to -3
Seiten- / Höhenverstellung (MOA)	15	60
MOA (klick, in)	1/4	1/4
Verriegelung (Feststellfunktion) für Seiten- / Höhenverstellung (ja/nein)	nein	ja
Fokalebene	2nd	2nd
Gesamtlänge (mm)	198.12	327.66

1.5-5x30 Taktische	3-9x40 Taktische	3-9x42 Triple Duty	4-16x44 Triple Duty	8.5-25x50 Triple Duty	10-40x56 Triple Duty
36	37	39	39	37	39
26.69-7.86	13.99-4.64	13.99-4.64	9.61-2.44	4.89-1.66	3.84-0.98
18.8-6	13.3-4.4	14-4.67	11-2.75	5.8-2.0	5.6-1.4
123-86.3	115.5-91	115.5-91	120.1-88.4	98.6-88	97.5-85
Breitband AR Grün	Breitband AR Grün	Breitband AR Grün	Breitband AR Grün	Breitband AR Grün	Breitband AR Grün
—————	—————	—————	12 zu Unendlichkeit	10 zu Unendlichkeit	10 zu Unendlichkeit
ja	ja	ja	ja	ja	ja
Mil-Dot	Mil-Dot	Mil-Dot	Mil-Dot	Mil-Dot	Mil-Dot
nein	nein	ja	ja	ja	ja
30	30	30	30	30	30
2 to -3	2 to -3	2 to -3	2 to -3	2 to -3	2 to -3
60	60	60	60	60	60
1/4	1/4	1/4	1/4	1/8	1/8
nein	nein	ja	ja	ja	ja
1st	2nd	2nd	2nd	2nd	2nd
261.62	337.82	337.82	386.08	414.02	424.18

MONTAGE

Es wird empfohlen das Zielfernrohr von einem Fachmann anbringen zu lassen. Sollten Sie das Zielfernrohr ohne professionelle Hilfe anbringen wollen lesen Sie bitte die Anleitung und halten sich strikt an die beschriebene Vorgehensweise.

1. Alle Zielfernrohre werden mit Standartringen zum direkten Anbringen geliefert.
2. Entladen Sie die Waffe. Entfernen Sie den Schlagbolzen um Sicherzustellen, dass die Waffe außerstande ist zu feuern.
3. Befestigen Sie die unteren Ringe auf dem Schwenklager.
4. Platzieren Sie das Zielfernrohr in den Ringen und setzen sie die oberen Ringe locker auf, so dass das Zielfernrohr noch bewegt werden kann.
5. Legen Sie den korrekten Augenabstand fest indem Sie die Waffe in Schussposition bringen. Während sich die Waffe in Schussposition befindet verstellen sie die Position des Zielfernrohres, so dass ein wenig Schwarz zu sehen ist wenn sie durch das Zielfernrohr blicken.
6. Wenn der Augenabstand festgelegt ist überprüfen sie die Ausrichtung des Fadenkreuzes indem Sie das Zielfernrohr auf ein Objekt in gleicher Höhe ausrichten.
7. Sobald die Ausrichtung überprüft ist können Sie die oberen Ringe festziehen. Bitte achten Sie darauf die Schrauben nicht zu überdrehen, da dies das Rohr verziehen könnte. [Schwenkmontage-Schrauben Und Auflageringschraube - 15 Zoll/Pfund; Lagerring Kreuzschlitzschraube Mutter - 68 Zoll/Pfund]
8. Überprüfen Sie erneut Ausrichtung und Position, dann stellen sie das Zielfernrohr ein.

EINSTELLEN

Es wird empfohlen eine Sightmark Leuchtpunkt Einstellhilfe zu benutzen, da diese den einfachsten und bequemsten Weg bietet ein Zielfernrohr einzustellen.

Bei Montage auf einem Geradenzugverschlussgewehr bitte den Schlagbolzen entfernen. Bei Montage auf einer halbautomatischen Waffe bitte die Waffe soweit demontieren, dass ein gerader Blick durch die Bohrung möglich

ist. Oder benutzen Sie mehrere Spiegel für den gleichen Effekt.

Platzieren Sie einen Zielpunkt mindestens 15m weit weg und zielen sie auf Diesen durch das Zielfernrohr. Anschließend schauen Sie durch die Bohrung und lokalisieren das Ziel. Zielen sie durch die Bohrung schauend den Punkt und stellen dann das Zielfernrohr ein. Sollte das Zielfernrohr beim Kontrollblick bedeutsam vom Ziel abweichen bringen Sie das Gewehr mit Zielfernrohr zu einem staatlich geprüften Waffenschmied um die korrekte Montage und Ausrichtung überprüfen zu lassen.

Nachdem Sie die Waffe eingestellt haben benötigt die Waffe noch eine Feineinstellung. Bitte nehmen Sie sich die Zeit dafür um sicherzustellen, dass die Waffe präzise schießt.

HÖHEN- UND SEITENEINSTELLUNG ZURÜCKSETZEN

Nachdem das Zielfernrohr eingestellt ist wird es Zeit die Absehverstellung wieder auf Null zu setzen. Bitte halten Sie sich an die folgenden Anleitungen, je nach Art der Stellräder am Zielfernrohr.

Zielfernrohr mit feststellbaren Stellrädern:

Benutzen Sie einen 1.5 mm Inbusschlüssel und lösen Sie die drei Stellschrauben am gewellten Rand des Höhenstellrads. Verriegeln Sie die Feststellschraube auf dem Stellrad. Dann drehen Sie das Stellrad so, dass MOA Doppelkreuz wieder auf Null steht. Sobald das Stellrad auf Null steht ziehen Sie die Stellschrauben wieder fest, passen sie aber dabei auf die Schrauben nicht zu überdrehen. Sobald die Stellschrauben wieder fest angezogen sind wird der Mechanismus wieder angestellt. Wiederholen sie diese Schritte mit dem Seitenstellrad.

Zielfernrohr ohne feststellbare Stellrädern:

Benutzen Sie einen 1.5 mm Inbusschlüssel und lösen Sie die drei Stellschrauben am gewellten Rand des Höhenstellrads. Dann drehen Sie das Stellrad so, dass MOA Doppelkreuz wieder auf Null steht. Sobald das Stellrad auf Null steht ziehen Sie die Stellschrauben wieder fest, passen sie aber dabei auf die Schrauben nicht zu überdrehen.

Sobald die Stellschrauben wieder fest angezogen sind wird der Mechanismus wieder angestellt. Wiederholen sie diese Schritte mit dem Seitenstellrad.

PROBLEME BEIM ZURÜCKSETZEN

Sightmark's „Triple Duty“ Serie wird mit feststellbaren Absehverstellungen geliefert, bei denen zur Justierung keine Werkzeuge benötigt werden. Diese Absehverstellungen sind zum schnellen Justieren entwickelt. Es besteht die Möglichkeit, dass ein Waffen Montage System nicht auf der selben Höhe wie die Bohrung ist, was eine ordentliche Justierung fast unmöglich machen. In diesem Fall wird empfohlen höhenverstellbare Ringe oder Abstandsscheiben zu verwenden um das hintere Ende des Zielfernrohres zu erhöhen und es somit an die Bohrung der Waffe so anzupassen, dass der Wert Null erreicht werden kann.

VERGRÖßERUNG

Einige SIGHTMARK Zielfernrohre werden mit einer variablen Vergrößerungsoption geliefert. Drehen Sie einfach die Skalenscheibe in die gewünschte Einstellung. Bitte beachten Sie je höher die Vergrößerung, umso kleiner wird das Sichtfeld.

EINSTELLEN DES PARALLAXEAUSGLEICHS

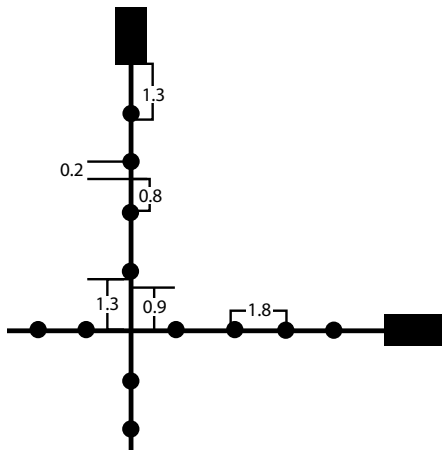
Sightmark's Zielfernrohre mit hoher Vergrößerung werden mit einem Stellrad zum Parallaxeausgleich geliefert. Unter Parallaxe versteht man ein Wechseln der Winkel zweier stationärer Punkte in Relation zueinander aus der Sicht des Beobachters. In anderen Worten geht es auf die korrekte Schussentfernung eingestellt ist. Dies ist sehr wichtig wenn sie die Waffe darum wie etwas im Zielfernrohr erscheint und wie es das Auge wahrnimmt. Stellen Sie sicher, dass der Parallaxeausgleich einstellen. Sollte dies beim einstellen der Waffe nicht berücksichtigt worden sein ist die Genauigkeit herabgesetzt.

DIOPTER EINSTELLUNG

Der Diopter dient der Abmessung der Netzhautkrümmung. Jedes Auge besitzt eine andere Krümmung. SIGHTMARK Zielfernrohre haben eine Diopter Einstellung die dabei hilft einen perfekten Schuss zu erzielen. Nachdem der Parallaxeausgleich eingestellt wurde drehen Sie den Diopterring bis sich klare Sicht einstellt. Diese Einstellung sollte gleich bleiben bis sich der Schütze ändert.

**verfügbar bei ausgesuchten Modellen*

MIL-DOTS VISIERE



Alle Sightmark Zielfernrohre werden mit einem Mil-Dot Visier geliefert.

Mil steht für Millradian. Ein Millradian ist der $1/6283,2$ Teil eines Kreises oder $3,438$ MOA (Winkelminute). Das Millradian steht für eine Einheit bei 1000 Yard. Einfacher, ein Ziel, das ein Yard ($0,9144$ m) groß ist auf 1000 Yard ($914,4$ m) misst ein Millradian.

Sightmark's Mil-Dot Visiere entsprechen dem NATO-Standard. Um das Mil-Dot auf Entfernung exakt anwenden zu können muss die Größe des Ziels bekannt sein. Als Beispiel, ein ausgewachsenes Reh ist 6 Fuß (1 Fuß= $30,48$ cm) lang. Machen sie aus den Fuß Yards (3 Fuß = 1 Yard), also ist das Reh 2 Yards ($1,82$ m) lang. Misst man das Reh nun im Fadenkreuz entspricht dies 4 Mil. Teilen Sie dann den Yardwert durch die Millradian also $2/4=0,5$ und multiplizieren Sie diesen Wert mit der Konstanten

1000. Als Ergebnis erhält man 500. Also ist das Reh ungefähr 500 Yards (457m) entfernt. Stehen Sie zum Schluss noch das Höhenstellrad exakt ein.

BELEUCHTETE FADENKREUZE

Einige Zielfernrohre sind mit beleuchteten Fadenkreuzen ausgestattet. Benutzen Sie die niedrigste Helligkeitseinstellung. Dies macht das Abschätzen der Entfernung von Zielen effektiver.

BATTERIEN WECHSELN

1. Stellen Sie sicher, dass die Waffe entladen ist und auf einen sicheren Punkt zielt.
2. Lösen Sie die Schrauben des Batteriegehäuses.
3. Wechseln Sie die CRV 2032 3 Volt Batterie und stellen Sie sicher, dass die Pole an den richtigen Stellen sind.
4. Verschrauben Sie das Gehäuse.

INSTANDHALTUNG

Gründliche Pflege des Zielfernrohres ist wichtig für eine lange Lebensdauer. Es wird empfohlen das Zielfernrohr, falls es schmutzig wird, mit einem trockenen oder leicht feuchten Tuch abzuwischen. Blasen Sie Schmutz und Fremdkörper von allen zugänglichen Linsen und reinigen sie dann mit speziellen Reinigungstüchern. Es ist keine weitere Pflege nötig.

WARNUNG

Alle Sightmark Zielfernrohre sind mit Stickstoff gefüllt und an den Dichtungen versiegelt sofern nichts anderes erwähnt wird. Zerlegen Sie das Zielfernrohr auf keinen Fall in seine Einzelteile! Dies führt zum Verfall der Garantie

und kann gefährlich sein. Etwaige Arbeiten im Inneren sollten nur vom Hersteller durchgeführt werden. Jede Verfälschung an der Entlüftungsschraube führt zum Verfall der Garantie.

PROBLEMLÖSUNGEN

Schicken Sie niemals ein Zielfernrohr ohne vorherige Autorisierung zurück. Dies könnte zum Verlust des Zielfernrohres aufgrund verschiedener Möglichkeiten führen, z. B. dem Versand an die falsche Adresse oder anderen Problem in Verbindung mit nicht erwarteten Paketen.

1. Stellen Sie sicher, dass die Parallaxeausrichtung, sofern vorhanden, korrekt eingestellt war.
2. Überprüfen Sie die Installation. Stellen Sie sicher, dass das Zielfernrohr korrekt montiert wurde. Untersuchen Sie ob das Zielfernrohr locker sitzt bzw. ob es wackelt. Sollte dies der Fall sein ziehen Sie die Schrauben fest, aber passen Sie auf, dass Sie sie nicht überdrehen. Dies kann zu Schäden an den Linsen führen.
3. Versichern Sie sich, dass die Ladevorrichtung der Waffe fest im Gehäuse sitzt und alle Schrauben festgezogen sind. Ein Lockeres Innenleben kann zu Abweichungen im Schussergebnis führen.
4. Stellen sie sicher, dass die Waffe beim Einschiessen vorne sowie hinten fest aufliegt.
5. Benützen Sie nur die vom Hersteller der Waffe empfohlene Munition oder wenigstens den selben Munitionstyp wie beim Einschiessen der Waffe.
6. Stellen Sie sicher, dass die Waffe ordnungsgemäß gereinigt wurde und sich keine Reste von Waffenfett oder, bei älteren Waffen Grünspann, im Lauf oder der Kammer befinden.

SIGHTMARK GARANTIEBESTIMMUNGEN

Bitte besuchen Sie uns unter www.sightmark.com für Garantiedetails und Informationen.

S I G H T  M A R K[®]

www.sightmark.com